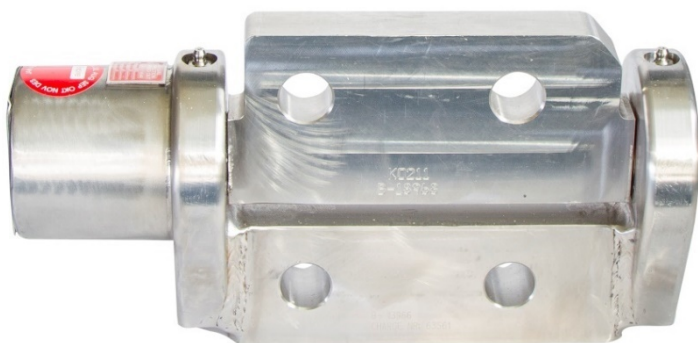


HENRIKSEN HOOKS

HOOKS
HENRIKSEN HOOKS

HSL

SWIVEL JOINT



U
S
E
R

M
A
N
U
A
L

Rev.: -1

M000280

HENRIKSEN

REDUCING OPERATIONAL RISK

Phone: +47 33 37 84 00
hooks@hhenriksen.com
www.henriksenhooks.com

HSL

GENERAL CONSIDERATIONS

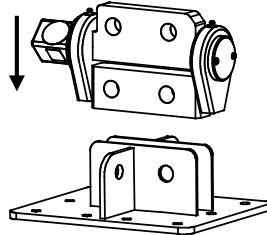
- 1** Make sure that there will be no collision between the hook and any part of the boat within the operational range (up to 30 degrees both ways) of the swivel joint.
- 2** Consider the position of the lifting hook, make sure that the lifting hook operator can get access to the lifting hook easily and can connect the lifting ring safely.
- 3** It shall be easy to get access to the grease nipples of the swivel joint and perform the lubricating operation.
- 4** Mount the swivel joint between two outside mounting plates.
- 5** We offer standard Henriksen Bolt Sets and Shims for mounting. See more details in our **Bolt Set** and **Shims** documents.

HSL

- 1** Place the swivel joint between the plates of the lifting arrangement of the boat.

Check that the swivel joint is placed in the preferred direction.

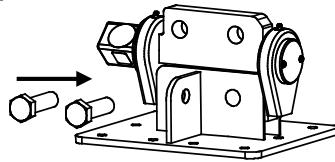
We recommend to apply shims to reduce the gap between the mounting plates and the swivel joint.



- 2** Insert the mounting bolts through the holes on the lifting arrangement and the swivel joint.

WARNING:

Use only recommended bolt, see the table on the next page.



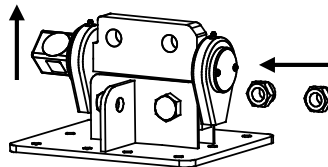
- 3** Mount the locknuts.

We recommend to hold the swivel joint in lifted position when tightening the nuts.

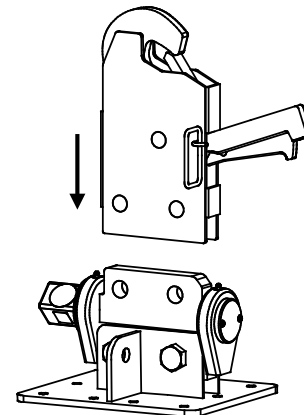
WARNING:

Use only recommended locknuts and torques, see the table on the next page.

Always use new locknuts.



- 4** Mount the hook onto the swivel joint as described in the user manual of the hook.



HSL

FUNCTIONAL TEST

Do a functional test of the following after mounting the swivel joint with the hook on the boat:

- Pull the hook sideways within the operational range of the swivel joint approx. 30 degrees. Verify the smooth movement in the whole range.
- The swivel joint shall retain the hook into the vertical position (± 2 degrees) when you release the hook.
- Perform the test in both direction.

RECOMMENDED BOLTS AND LOCKNUTS

Swivel joint type	Bolts* and locknuts dimensions (minimum A4 70 quality)	Max. torque (Nm)
HSL 3,5	M24	70
HSL 5/8	M30	70
HSL 12	M30	70
HSL 15	Ø40/M36 **	70

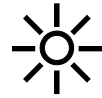
* The bolt should be unthreaded in the lifting cross-section. The length is specified by the boat builder.

** Stud bolt: shaft Ø40 with M36 threaded ends, EN 1.4462 quality. Bolts can be ordered from Henriksen, the length is specified by the boat builder.



HSL

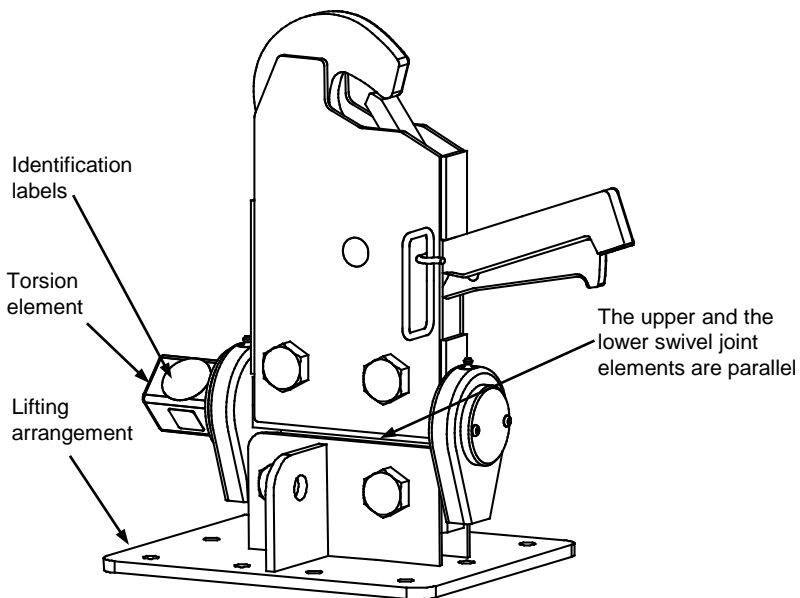
1 For safety reasons carry out the control in good lighting conditions.



2 Remove all impurities (salt, grease, dust, etc.) with fresh water. Remove ice if necessary.



3 Check that the following parts are free from deformations and defects:



Contact the manufacturer in case of any deviation!

HSL

- 4** Do a functional test of the following:
- Slowly pull the hook sideways within the operational range of the swivel joint approx. 30 degrees. Verify the smooth movement in the whole range.
 - The swivel joint shall retain the hook into the vertical position (± 2 degrees) when you release the hook.
 - Perform the test in both direction.
- 5** Refill with grease (Molykote FB 180 or equivalent) if necessary.

- 6** DO NOT PAINT ANY PART OF THE SWIVEL JOINT!



Contact the manufacturer in case of any deviation!