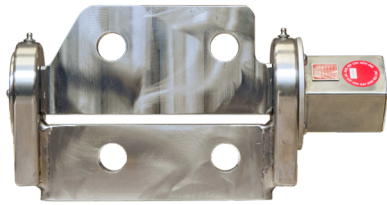


SWIVEL JOINTS

HOOKS
SAFETY QUICK RELEASE HOOKS



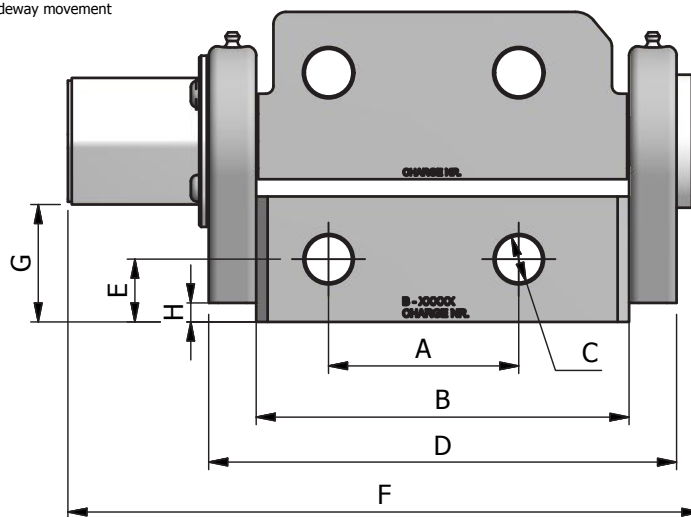
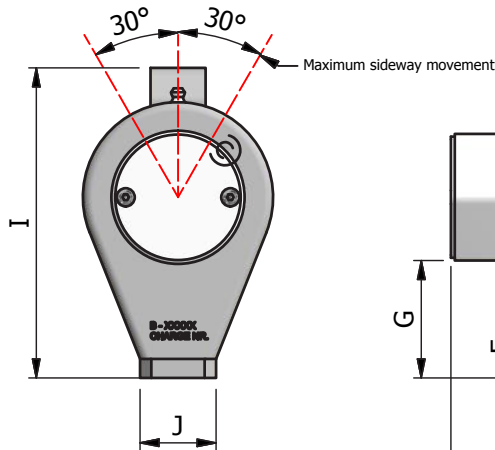
HSL 3,5 / 5 / 8 / 12 / 15

The Swivel Joint is mounted in between the boat and the hook and is highly recommended on boats that are frequently used, or that may experience a sideways force during operation.

**SWIVEL HSL
JOINT**

SWIVEL JOINT

The Henriksen Swivel Joints are mounted between the Henriksen Hook and the lifting frame on the boat. The Swivel joint is designed to allow the Hook to pivot 30° (to each side) and thereby reducing the bending moment on the hook and on the lifting frame. This results in a smoother and safer experience for the operators and reduced operational risk.



| PART NO. | SWIVEL | SWL | A | B | C | D | E | F | G | H | I | J | WEIGHT |
|----------|-----------|-----------|-----|-----|-------|-----|----|-----|----|----|-----|----|---------|
| HH000106 | HSL 3,5 | 3 500 kg | 100 | 196 | Ø24,5 | 246 | 33 | 337 | 61 | 10 | 163 | 40 | 15,2 kg |
| HH000075 | HSL 5/8 | 8 000 kg | 120 | 246 | Ø31 | 296 | 45 | 397 | 72 | 15 | 205 | 45 | 23,0 kg |
| HH000074 | HSL 12-35 | 12 000 kg | 100 | 200 | Ø31 | 260 | 36 | 360 | 11 | 11 | 314 | 35 | 37,0 kg |
| HH000052 | HSL 15 | 15 000 kg | 120 | 248 | Ø41 | 308 | 45 | 410 | 30 | 15 | 215 | 50 | 30,5 kg |