

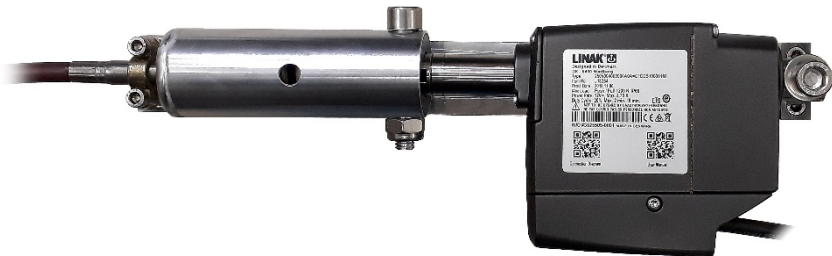
HENRIKSEN HOOKS

**HOOKS**  
HENRIKSEN HOOKS

**ELA**

**ELECTRICAL REMOTE RELEASE UNIT**

U  
S  
E  
R  
  
M  
A  
N  
U  
A  
L



Rev.: --

M000486

**HENRIKSEN**

**REDUCING OPERATIONAL RISK**

Phone: +47 33 37 84 00  
hooks@hhenriksen.com  
www.henriksenhooks.com

## ELA

### GENERAL

- Read this user manual carefully before you use the unit and save it for future reference.
- Operational scenarios with corresponding risk evaluations must be well known for the operators.
- It is important that the unit is inspected and maintained periodically to ensure a safe and well-functioning equipment.
- Monthly controls by the operators are limited to visual check and practical operations.
- Contact the manufacturer in case of any visible damage and/or if malfunction occurs.
- Any unauthorized repair, service and/or parts used in the unit will violate the warranty.

## ELA

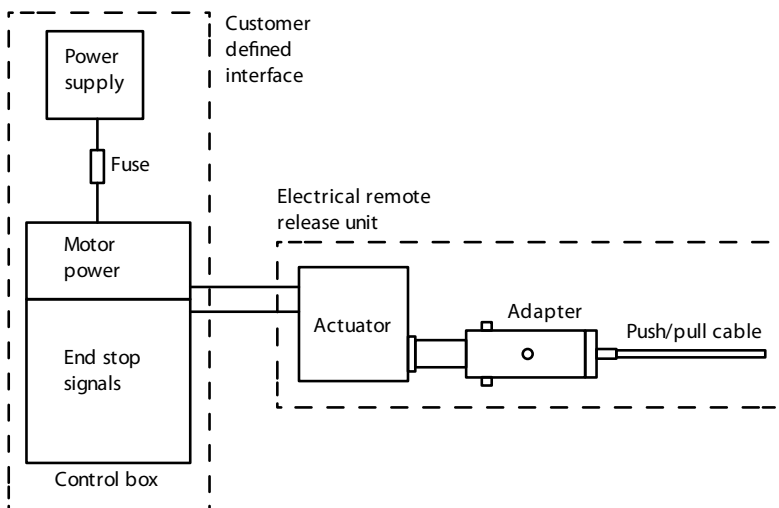
## SYSTEM OVERVIEW

The electrical remote release unit is an alternative for the manual remote release unit to operate painter and lifting hooks.

The unit is available both for 12 VDC and 24 VDC systems:

- **HH000131** for 12 VDC
- **HH000128** for 24 VDC

The standard length of the actuator cable is 5 m. Please check the user manual delivered with the LINAK actuator for more technical details.



Recommended operation for painter hooks:

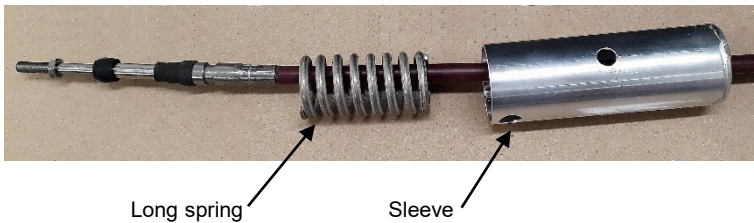
- full stroke **in** to release the painter hook and an automatic stroke **out** to prepare for resetting the hook

Recommended operation lifting hooks:

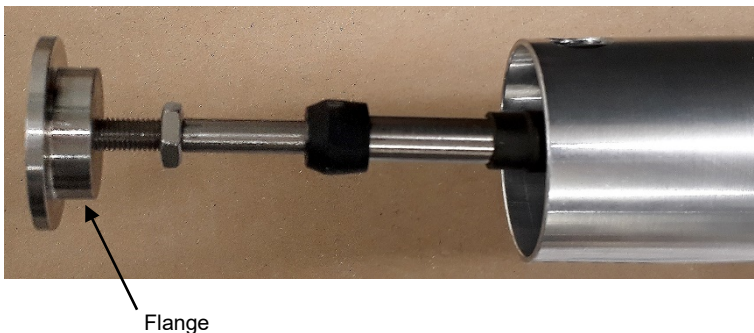
- a full stroke **in** to activate the lifting hook
- a full stroke **out** – after the hook has released the lifting ring – to prepare for resetting the hook

## ELA

- 1 Connect the actuator to the power supply and set the piston rod into the maximum stroke length position.
- 2 Thread the sleeve and the long spring onto the cable end.

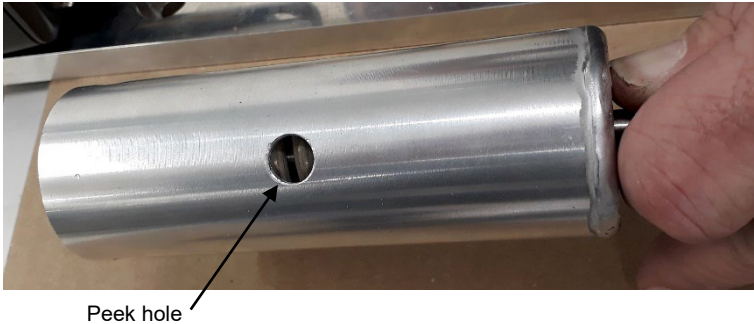


- 3 Place the flange onto the cable end. Note the proper orientation of the flange.

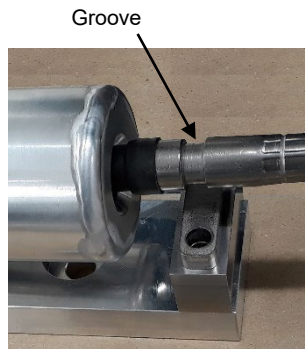
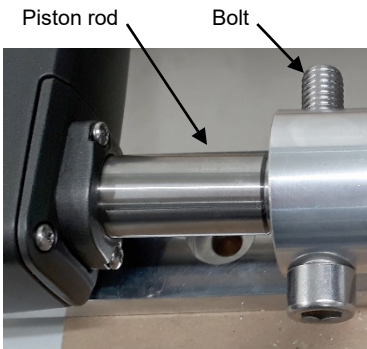


## ELA

- 4** Press the sleeve against the cable end, and check through the peek hole that the spring is properly placed on the flange.



- 5** Lock the sleeve with the bolt on the end of the piston rod, and press the flange against the spring by pulling the cable gently out from the sleeve. Keep the cable in this position and check that the groove on the cable is aligned with the mounting holes on the bracket.



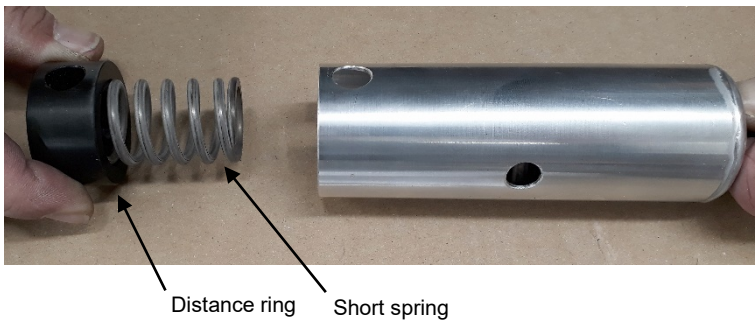
Adjust the position of the flange on the cable end if necessary.

## ELA

- 6** Remove the bolt from the sleeve and the piston rod and lock the flange on the cable end with the nut.



- 7** Insert the short spring into the distance ring and place these into the sleeve.



## ELA

- 8** Insert the complete assembly onto the piston rod. This operation may require two persons to perform.



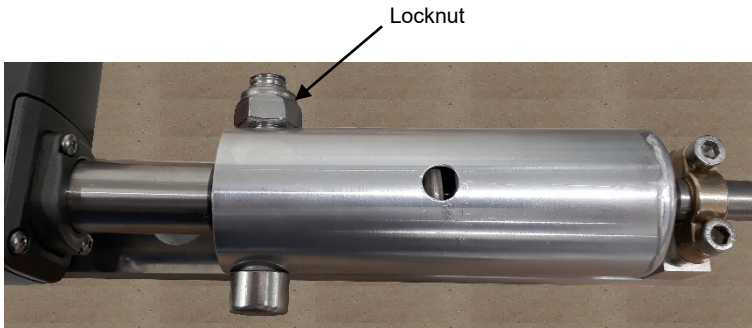
- 9** Mount the cable onto the bracket with the cable clamp, clamp plate and the bolts. Apply Loctite 243 or equivalent on the bolts.



Cable clamp with plate and bolts

## ELA

- 10** Insert the bolt through the sleeve, distance ring and the piston rod and lock it with the locknut.

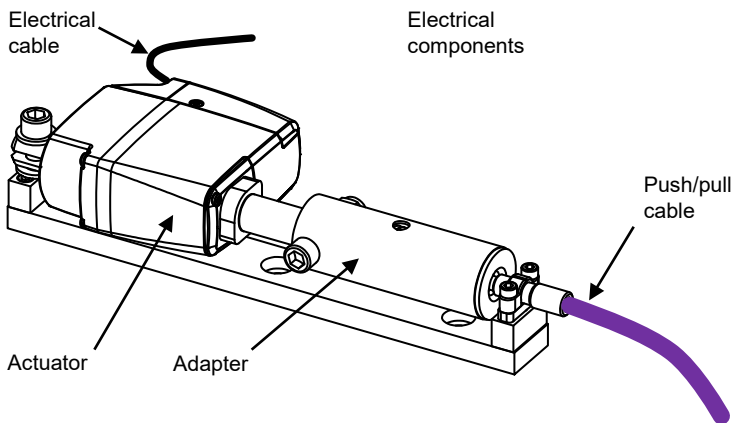
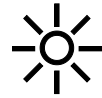






## ELA

- 1 For safety reasons carry out the control in good lighting conditions.
- 2 Remove all impurities (salt, grease, dust, etc.) with fresh water. Remove ice if necessary.
- 3 Check that the following parts are free from deformations and defects:



- 4 Do a functional test of the following :
  - The actuator can reach its full extension and retraction.
  - The hook opens and closes as intended, see the hook manuals for more details.

Contact the manufacturer in case of any deviation!