



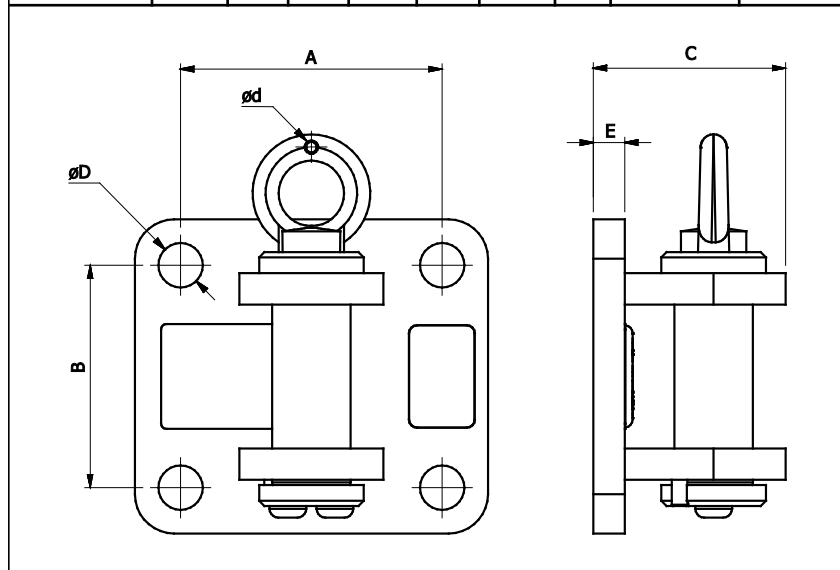
HTH ADAPTER

TOWING HOOK ADAPTER

SELECTION

Apply the adapter to connect the towing hook to the boat.

Part number	WLL	Dimensions (mm)						Bolt size (A4-70 quality)	Torque (Nm)
		A	B	C	øD	ød	E		
HH000171	2,5	100	85	73,5	ø17	ø4,1	12	M16	100
HH000173	5	140	120	105	ø25	ø4,1	20	M24	350
HH000174	10	170	220	130	ø31	ø4,1	25	M30	800



See the customer drawings of the adapters for more details about the loads at the mounting holes.

Rev.: --

M000614



REDUCING OPERATIONAL RISK

Phone: +47 33 37 84 00
 hooks@hhenriksen.com
 www.henriksenhooks.com

HTH ADAPTER TOWING HOOK ADAPTER

MOUNTING

- 1** Attach the adapter (1) to the boat with the proper bolts, see the table on the other side.
- 2** Remove the two locking bolts (2) and the lid (3) and pull out the main bolt (4).
- 3** Place the hook between the ears of the adapter, and insert the main bolt through the ears and the hook.
- 4** Lock the main bolt with the lid and the two locking bolts. Apply Loctite 2701 or equivalent on the bolts and tighten with hand force.
- 5** Check the operation angles of the hook after mounting.
- 6** To reduce the release force (F) needed on the release grip, thread and connect the release wire as described below:
 - through the $\varnothing 4$ hole on the eye of the main bolt
 - through the shackle on the release lever
 - through the eye of the main bolt and over to the release grip.

