

## BOLT SET

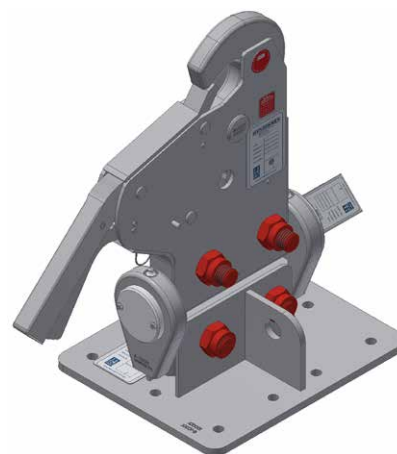
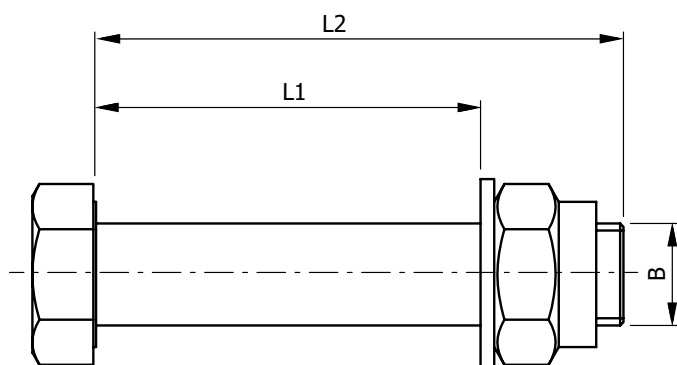
**HOOKS**  
SAFETY QUICK RELEASE HOOKS



### BOLT SET

Apply bolts to connect:

- the hook to the swivel joint
- the hook or the swivel joint to the Henriksen adapter
- the hook or the swivel joint to the lifting arrangement of the boat <sup>(1)</sup>



PART NO.	SWL <sup>(2)</sup>	L1 <sup>(3)</sup>	L2	B	Max. torque (Nm)	Weight (kg)	Between		
							hook and adapter	hook and swivel	swivel and adapter
HH000514	1 500 kg	30	50	M12	40	0,16	X <sup>(4)</sup>		
HH000276	1 500 kg	46	85	M12	40	0,22	X <sup>(5)</sup>		
HH000217	3 500 kg	42	75	M24	70	1,02		X	
HH000218	3 500 kg	52	85	M24	70	1,09	X		X
HH000219	5 000 kg	53	90	M30	70	2,07		X	
HH000212	8 000 kg	73	110	M30	70	2,22	X		X
HH000517	12 000 kg	118	150	M30	70	2,80	X	X	X
HH000681	15 000 kg	75	163	Ø40 / M36 <sup>(6)</sup>	70	4,24	X	X	

<sup>(1)</sup> The length of the bolt is specified by the boat builder, the bolt should be unthreaded in the lifting cross-section.

<sup>(2)</sup> The SWL of the hook, swivel joint or adapter.

<sup>(3)</sup> Unthreaded length.

<sup>(4)</sup> For adapter plate inside of the hook.

<sup>(5)</sup> For adapter plates outside of the hook.

<sup>(6)</sup> Stud bolt: shaft Ø40 with M36 threaded ends, EN 1.4462 quality.