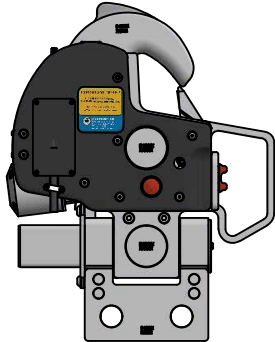


REMOTE RELEASE HOOKS - ELECTRICAL

HOOKS
SAFETY QUICK RELEASE HOOKS



HHSR 12

Latest generation Henriksen remote release off-load hooks. Electric remote actuation with the ELP control panel. IP67 protection.

HOOK	HHSR
RING	HLRE
SWIVEL JOINT	HSL

COMPACT

The HHSR Remote hooks are the newest generation Henriksen Hooks. They have been designed with integrated swivel joint, which makes them lighter and more compact. They have an electric solenoid actuator, and goes with the ELP control panel which makes lifting operations intuitive and easy. Remote release hooks have the same operational principles as manual release hooks: when the boat is close to the water the boat operator primes the hook for release using the control panel. When the boat is waterborne and the load is removed the hook automatically opens. The big safety advantage of remote release hooks is that no operator is needed near the hook in the launch sequence.



HENRIKSEN HOOK WITH SWIVEL AND REMOTE RELEASE

The HHSR Hooks are delivered with ELP Control panel and wires. An optional painter hook with actuator can also be added for a complete IHS system with fast and easy pushbutton action.

OPERATION OF A HENRIKSEN REMOTE RELEASE OFF-LOAD HOOK

Launch

1. When the boat is being lowered down, is clear off all obstacles and close to the water level, use the control panel to activate the hook release mechanism. When the boat is waterborne, the hook automatically releases the lifting ring.

Recovery

1. Prepare the hook for recovery by closing the hook and making sure the handle lock is in bottom position.
2. Grab the lifting ring and connect it by pushing it into the hook.



LIFTING RINGS

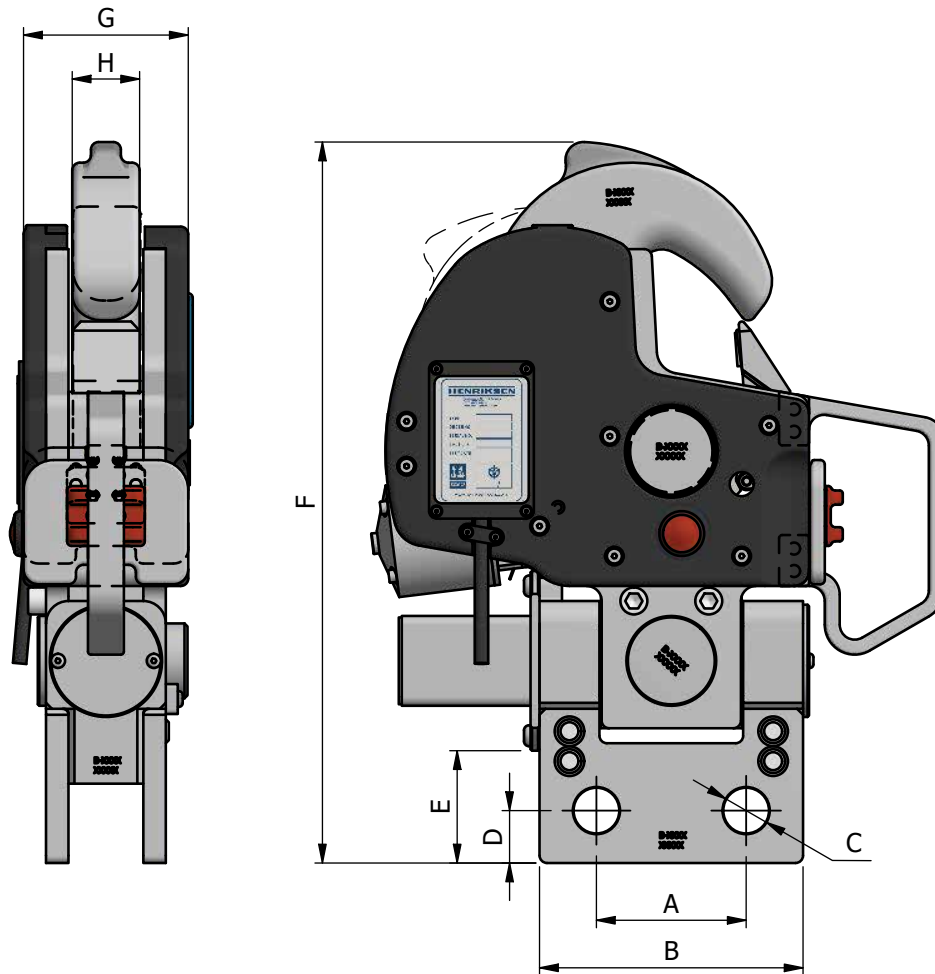
We supply Henriksen original lifting rings for all Henriksen hooks. They are safe and easy to operate with handles that provide a good grip. We strongly recommend the use of our Henriksen lifting rings with our Henriksen hooks as these have geometry that is designed to fit together.

See our recommended **HLRE** lifting ring selection for these hooks.

INTEGRATED HENRIKSEN SYSTEM

All Henriksen HHSR hooks can be used in combination with an Integrated Henriksen System (IHS) and a painter hook. We recommend using a IHS system anywhere applicable as it removes the possibility of certain major operator errors and thereby significantly reduces operational risk.

- All materials used in the Henriksen Hooks are high quality and suitable for marine environment (saltwater proof).
- All hooks are delivered in a practical wooden box.



PART NO.	HOOK	SWL	A	B	C	D	E	F	G	H	WEIGHT
HH000129	HHSR 12	12 000 kg	100	176	Ø30,5	35	75	482	110	45	41,5 kg

Materials	High quality stainless steel
Warranty	5 years (When the re-certification and annual inspection is followed)
Documentation	Certificates, Installation-, Operation-, and Maintenance Manual
Packaging	Wooden case
Optional Accessories	<ul style="list-style-type: none"> • Certified bolts and nuts • Henriksen Lifting Ring • Integrated Henriksen System (IHS)



The HOOKS on this page are all tested and delivered with European Community "MED" CERTIFICATES approved by Det Norske Veritas. They are also approved by Transport Canada (several other certificates are also available on request). Test certificates are based upon IMO / SOLAS.

For more information please visit: www.hhenriksen.com



H. Henriksen AS
 Træleborgveien 15
 3112 Tjønsberg
 Phone: 333 78 400
 Mail: hooks@hhenriksen.com