

LIFERAFT HOOKS

HOOKS
SAFETY QUICK RELEASE HOOKS



HLH 1,5 / 3,5

Off-load / on-load crane hooks for lifting Fast Rescue Crafts, Man-Over-Board boats, Rigid Inflatable Boats, tenders and liferafts.

HOOK HLH

LIFERAFT HOOKS

The HLH hooks are off-load / on-load crane hooks designed for lifting Liferafts and Man-Over-Board boats with a total weight of up to 3 500 kg.

The HLH hooks are designed for use for the offshore, military and the cruise ship market. The hooks are available in two versions for 1 500 kg and 3 500 kg loads.

OPERATION OF AN OFF-LOAD LIFERAFT HOOK

To activate the automatic release facility, a liferaft occupant pulls a red knob downwards when the liferaft is just one or two meters above the water.

When the liferaft is waterborne and the load on the hook is less than 30 kg, it opens automatically enabling the liferaft to drift free and for the fall wire to be hoisted in.



If conditions are such that it is not possible to use the automatic release capability, the Henriksen Liferaft Hook also offers a manual opening facility. It can be used if the raft is on the water but is being pulled by a strong current or by vessel movement and the automatic release capacity is not enough. Under these circumstances, a green grip on the hook can be pulled strongly and the hook will open.

When the crane operating crew has recovered the hook, it can be reset quickly and simply for re-use by setting the release handle back to its original position. With the hook element reset it can be clipped into the lifting arrangement on the next liferaft for launching.



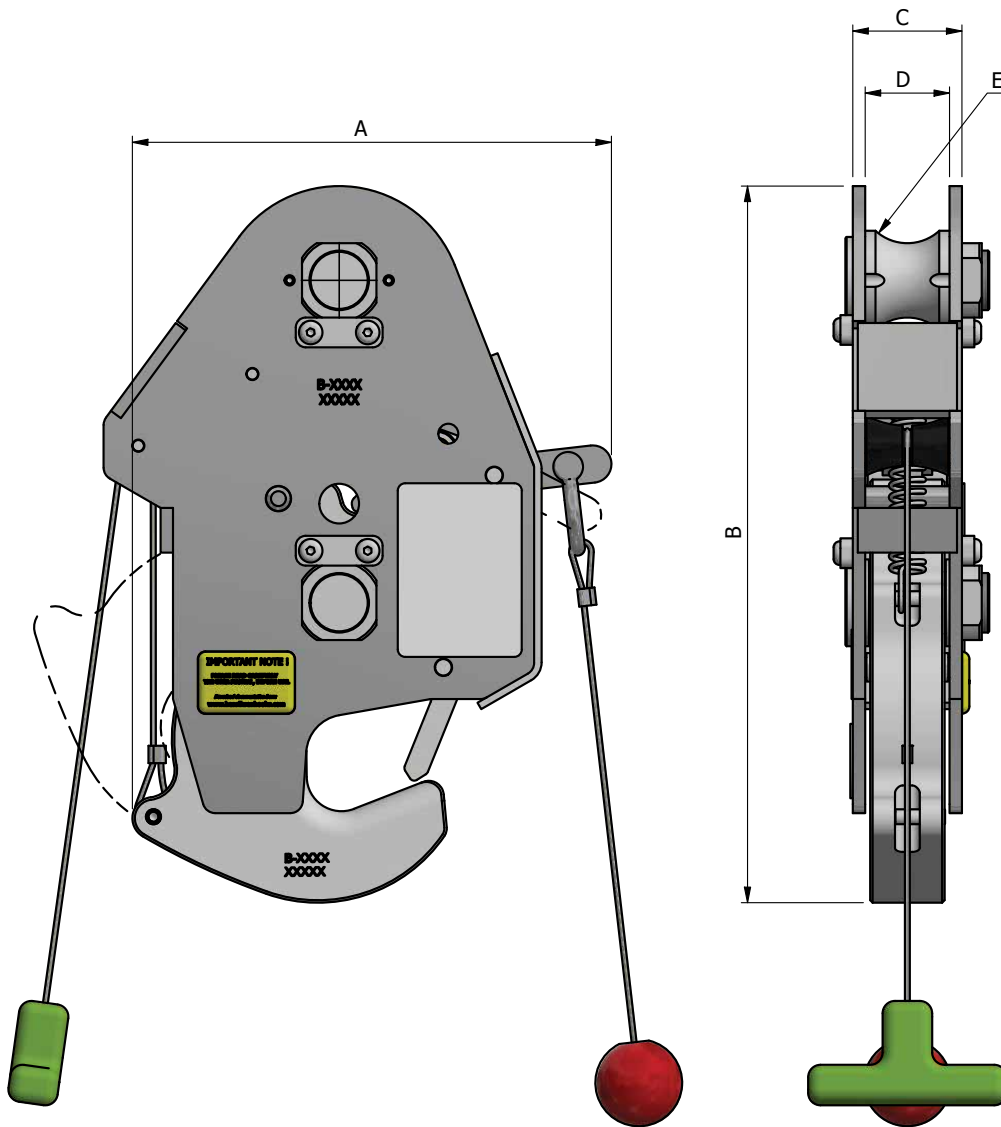
LIFTING RINGS

We supply Henriksen original lifting rings for all Henriksen hooks. They are safe and easy to operate with handles that provide a good grip. We strongly recommend the use of our Henriksen lifting rings with our Henriksen hooks as these have geometry that is designed to fit together.

Mount the hook at the end of the wire from the crane or davit, or use a shackle. Henriksen top attachments (shackle) are available.

The hook is manufactured according to latest regulation and tested to the LSA code.

- All materials used in the Henriksen Hooks are high quality and suitable for marine environment (saltwater proof).
- All hooks are delivered in a practical wooden box.



PART NO.	HOOK	SWL	A	B	C	D	E	WEIGHT
HH000236	HLH 1,5	1 500 kg	169	231	33	25	Ø30	3,3 kg
HH000177	HLH 3,5	3 500 kg	193	289	44	34	Ø38	5,8 kg

Materials	High quality stainless steel
Warranty	5 years (When the re-certification and annual inspection is followed) for all HLH Hooks
Documentation	Certificates, Installation-, Operation-, and Maintenance Manual
Packaging	Wooden case
Optional Accessories	<ul style="list-style-type: none"> • Certified shackles • Henriksen Lifting Ring



The HOOKS on this page are all tested and delivered with European Community "MED" CERTIFICATES approved by Det Norske Veritas. They are also approved by Transport Canada (several other certificates are also available on request). Test certificates are based upon IMO / SOLAS.

For more information please visit: www.hhenriksen.com



H. Henriksen AS
 Træleborgveien 15
 3112 Tjønsberg
 Phone: 333 78 400
 Mail: hooks@hhenriksen.com