

## REMOTE RELEASE HOOKS - MECHANICAL

**HOOKS**  
SAFETY QUICK RELEASE HOOKS



**HMKR 3,5 / 5 / 8 / 12 / 15**

**HMKRW 5 / 8 / 15**

**HMKRWH 3,5 / 5 / 8**

**HMKRHB 3,5 / 5 / 8 / 15**

**HMKRHI 12**

**HMKRHF 15**

For fast rescue crafts and other types of boats with a single point lifting arrangement

HOOK	HMKR
RING	HLR
SWIVEL	HSL
JOINT	

### MECHANICAL REMOTE RELEASE

The HMKR HOOKS are remotely operated hooks where the remote control handle can be placed close to the helmsman's position. It works in the same way as the manually operated off-load hooks. Remote release hooks have the same operational principles as manual release hooks: when the boat is close to the water the boat operator primes the hook for release using the remote handle. When the boat is waterborne and the load is removed the hook automatically opens. The big safety advantage of the HMKR hooks is that no operator is needed near the hook in the launch sequence.



### HENRIKSEN REMOTE RELEASE HOOKS

The Standard Remote Release Hooks are delivered with a push/pull cable directly connected to the remote handle. Alternatively, we can provide an electrical or pneumatic system where this is required.

### OPERATION OF A HENRIKSEN REMOTE RELEASE OFF-LOAD HOOK

#### Launch

1. When the boat is being lowered down, is clear off all obstacles and close to the water level, use the remote handle to activate the hook release mechanism. When the boat is waterborne, the hook automatically releases the lifting ring.

#### Recovery

1. Prepare the hook for recovery by lifting the handle and inserting the safety pin.
2. Grab the lifting ring and connect it by pushing it into the hook.



### LIFTING RINGS

We supply Henriksen original lifting rings for all Henriksen hooks. They are safe and easy to operate with handles that provide a good grip. We strongly recommend the use of our Henriksen lifting rings with our Henriksen hooks as these have geometry that is designed to fit together.



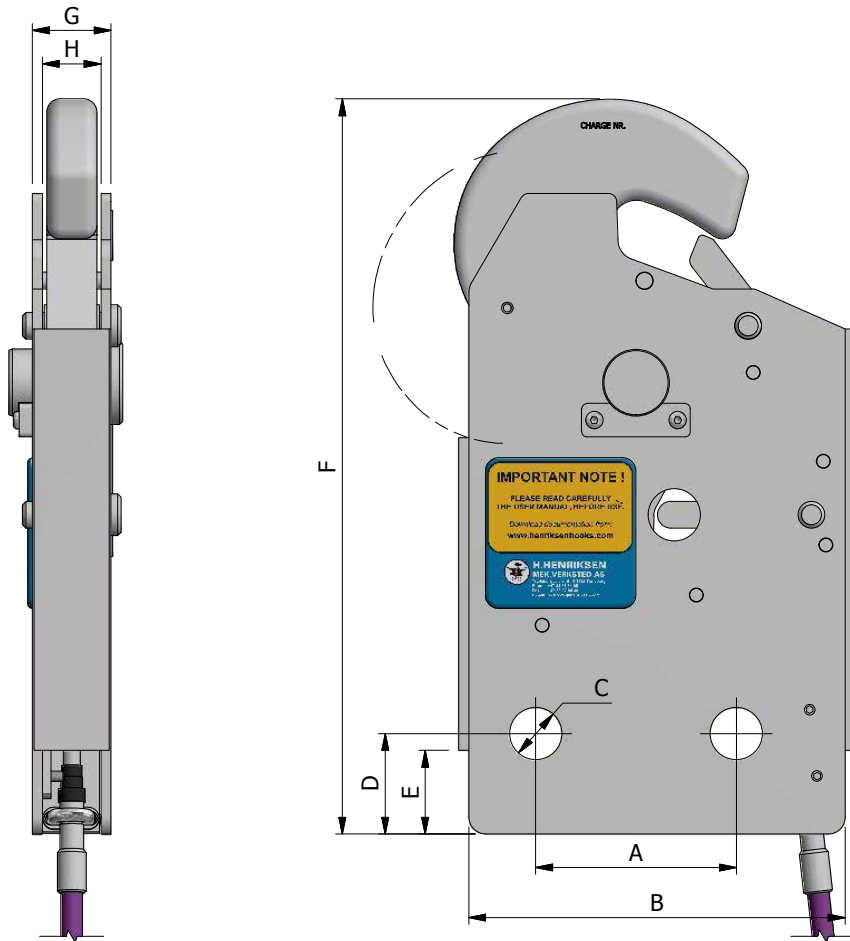
### SWIVEL JOINTS

A Swivel joint is mounted between the hook and the lifting frame in order to reduce sideways forces. We recommend installing swivel joints on boats which are frequently used and/or boats that will be launched and recovered in rough sea.

### INTEGRATED HENRIKSEN SYSTEM

All Henriksen HMKR hooks can be used in combination with an Integrated Henriksen System (IHS) and a painter hook. We recommend using an IHS system anywhere applicable as it removes the possibility of certain major operator errors and thereby significantly reduces operational risk.

- All materials used in the Henriksen Hooks are high quality and suitable for marine environment (saltwater proof). The HMKR Hooks are made of stainless steel and duplex steel.
- All hooks are delivered in a practical wooden box.



PART NO.	HOOK	SWL	A	B	C	D	E	F	G	H	WEIGHT
HH000115	HMKR 3,5	3 500 kg	100	185	Ø24,5	49	40	352	40	30	10,1 kg
HH000107	HMKR 5	5 000 kg	120	225	Ø30,5	60	50	439	47	35	17,3 kg
HH000087	HMKR 8	8 000 kg	120	225	Ø30,5	60	50	439	51	35	19,4 kg
HH000077	HMKR 12	12 000 kg	100	226	Ø30,5	40	50	350	80	50	22,9 kg
HH000091	HMKR 15	15 000 kg	120	225	Ø40,5	73	50	470	71	47	30,4 kg

Materials	High quality stainless steel
Warranty	5 years (When the re-certification and annual inspection is followed)
Documentation	Certificates, Installation-, Operation-, and Maintenance Manual
Packaging	Wooden case
Optional Accessories	<ul style="list-style-type: none"> <li>• Certified bolts and nuts</li> <li>• Henriksen Swivel Joint</li> <li>• Henriksen Lifting Ring</li> <li>• Integrated Henriksen System (IHS)</li> </ul>

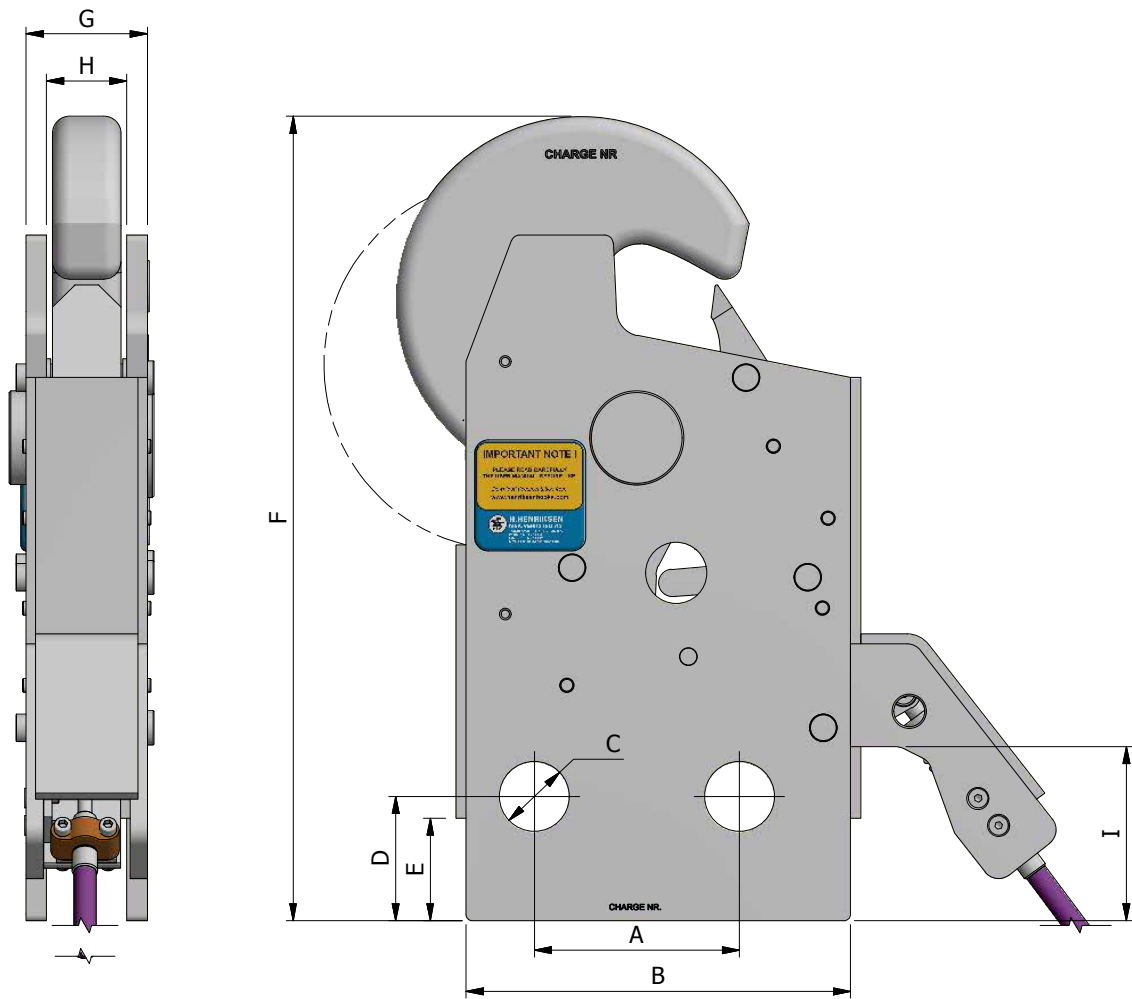


The HOOKS on this page are all tested and delivered with European Community "MED" CERTIFICATES approved by Det Norske Veritas. They are also approved by Transport Canada (several other certificates are also available on request). Test certificates are based upon IMO / SOLAS.

For more information please visit: [www.hhenriksen.com](http://www.hhenriksen.com)



H. Henriksen AS  
 Træleborgveien 15  
 3112 Tjønsberg  
 Phone: 333 78 400  
 Mail: [hooks@hhenriksen.com](mailto:hooks@hhenriksen.com)



PART NO.	HOOK	SWL	A	B	C	D	E	F	G	H	I	WEIGHT
HH000108	HMCRW 5	5 000 kg	120	225	Ø30,5	60	50	467	47	35	92	18,9 kg
HH000085	HMCRW 8	8 000 kg	120	225	Ø30,5	60	50	467	51	35	92	20,9 kg
HH000105	HMCRW 15	15 000 kg	120	225	Ø40,5	73	60	470	71	47	102	31,6 kg

Materials	High quality stainless steel
Warranty	5 years (When the re-certification and annual inspection is followed)
Documentation	Certificates, Installation-, Operation-, and Maintenance Manual
Packaging	Wooden case
Optional Accessories	<ul style="list-style-type: none"> <li>• Certified bolts and nuts</li> <li>• Henriksen Swivel Joint</li> <li>• Henriksen Lifting Ring</li> <li>• Integrated Henriksen System (IHS)</li> </ul>

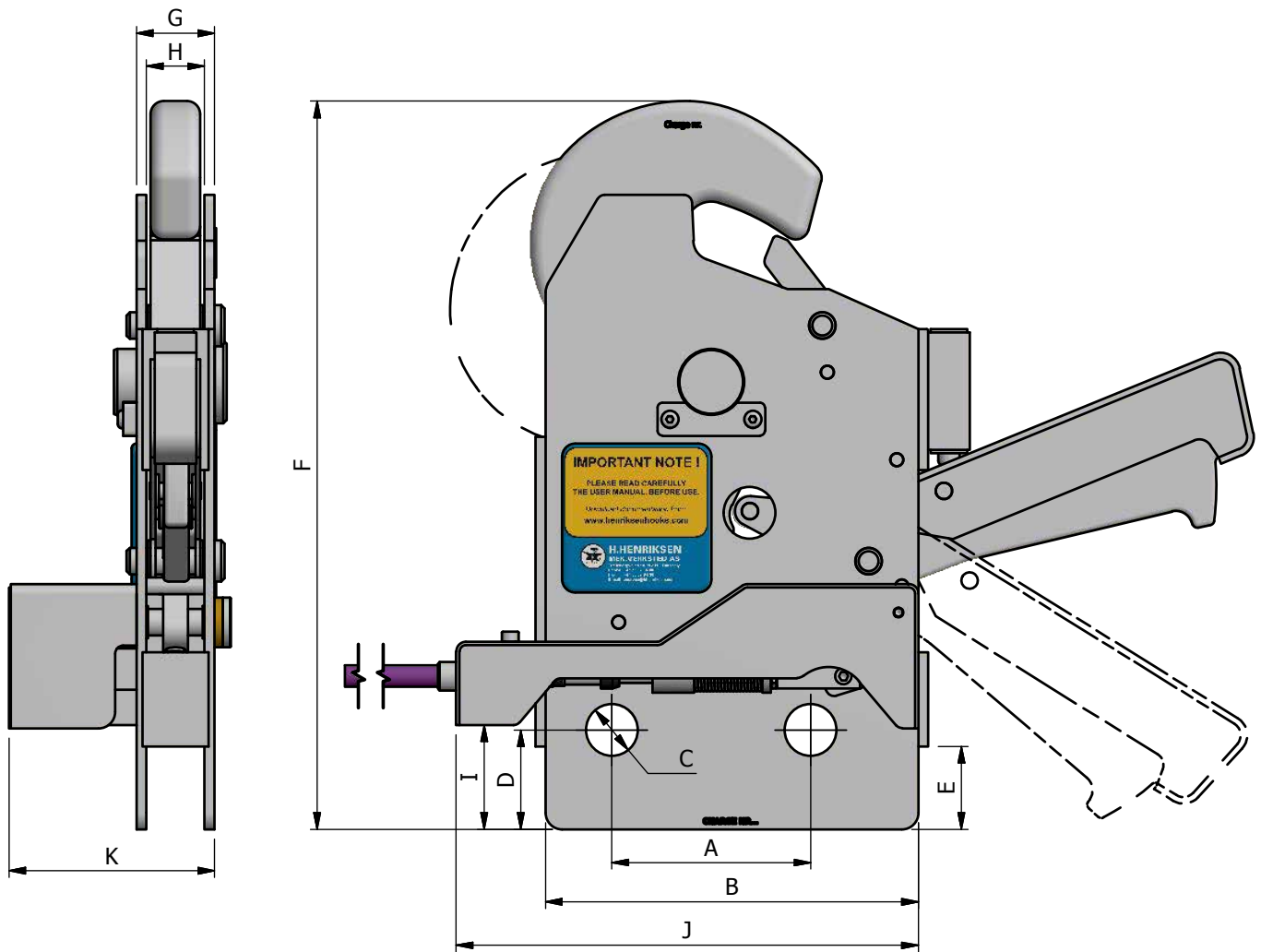


The HOOKS on this page are all tested and delivered with European Community "MED" CERTIFICATES approved by Det Norske Veritas. They are also approved by Transport Canada (several other certificates are also available on request). Test certificates are based upon IMO / SOLAS.

For more information please visit: [www.hhenriksen.com](http://www.hhenriksen.com)



H. Henriksen AS  
 Træleborgveien 15  
 3112 Tjønsberg  
 Phone: 333 78 400  
 Mail: [hooks@hhenriksen.com](mailto:hooks@hhenriksen.com)



PART NO.	HOOK	SWL	A	B	C	D	E	F	G	H	I	J	K	WEIGHT
HH000709	HMKRWH 3,5	3 500 kg	100	180	Ø24,5	49	40	352	40	30	20	367	97	10,1 kg
HH000686	HMKRWH 5	5 000 kg	120	225	Ø30,5	60	50	440	47	35	63	289	124	22,5 kg
HH002200	HMKRWH 8	8 000 kg	120	225	Ø30,5	60	50	459	51	35	63	279	128	25,5 kg

Materials	High quality stainless steel
Warranty	5 years (When the re-certification and annual inspection is followed)
Documentation	Certificates, Installation-, Operation-, and Maintenance Manual
Packaging	Wooden case
Optional Accessories	<ul style="list-style-type: none"> <li>• Certified bolts and nuts</li> <li>• Henriksen Swivel Joint</li> <li>• Henriksen Lifting Ring</li> <li>• Integrated Henriksen System (IHS)</li> </ul>

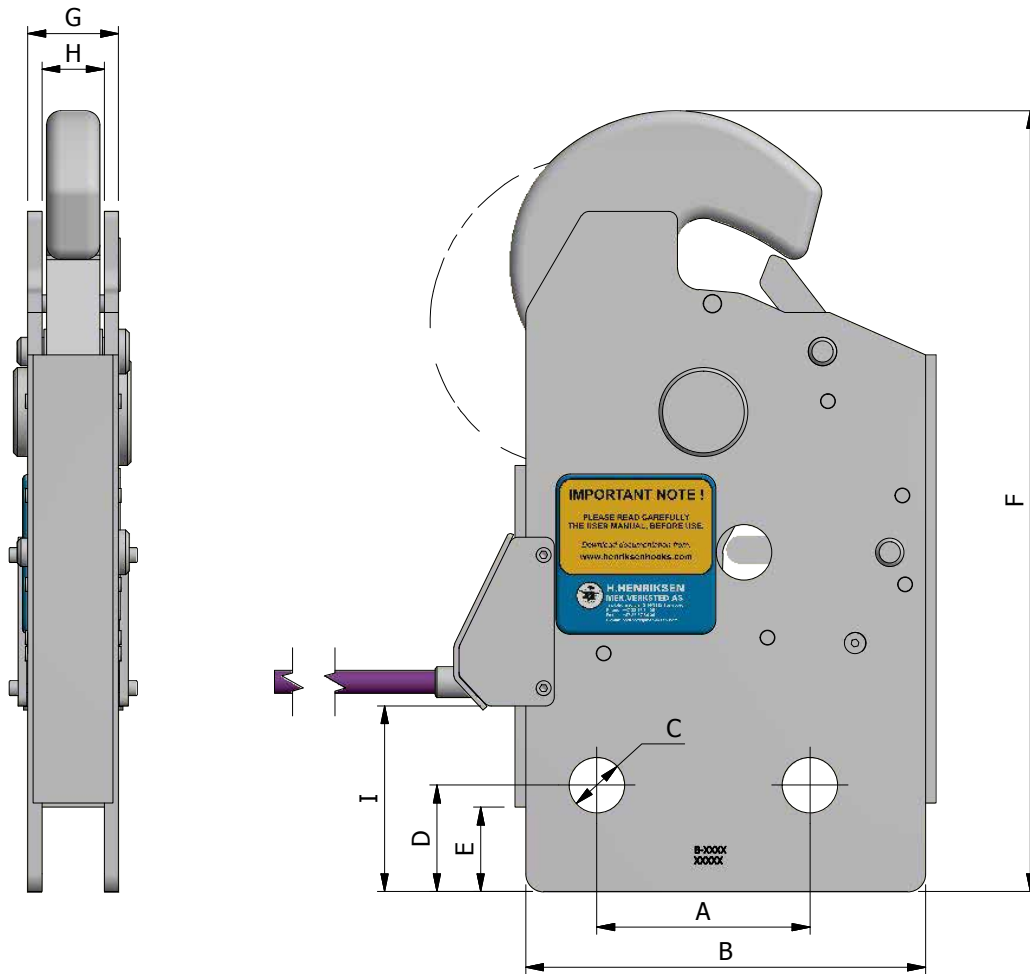


The HOOKS on this page are all tested and delivered with European Community "MED" CERTIFICATES approved by Det Norske Veritas. They are also approved by Transport Canada (several other certificates are also available on request). Test certificates are based upon IMO / SOLAS.

For more information please visit: [www.henriksen.com](http://www.henriksen.com)



H. Henriksen AS  
 Træleborgveien 15  
 3112 Tjønsberg  
 Phone: 333 78 400  
 Mail: [hooks@henriksen.com](mailto:hooks@henriksen.com)



PART NO.	HOOK	SWL	A	B	C	D	E	F	G	H	I	WEIGHT
HH000088	HMKRHB 3,5	3 500 kg	100	180	Ø24,5	49	40	352	40	30	90	10,1 kg
HH005139	HMKRHB 5	5 000 kg	120	225	Ø30,5	60	50	440	47	35	113	16,8 kg
HH007652	HMKRHB 8	8 000 kg	120	225	Ø30,5	60	48	440	51	35	105	19,8 kg
HH007576	HMKRHB 15	15 000 kg	120	225	Ø40,5	73	50	470	71	47	220	30,0 kg

Materials	High quality stainless steel
Warranty	5 years (When the re-certification and annual inspection is followed)
Documentation	Certificates, Installation-, Operation-, and Maintenance Manual
Packaging	Wooden case
Optional Accessories	<ul style="list-style-type: none"> <li>• Certified bolts and nuts</li> <li>• Henriksen Swivel Joint</li> <li>• Henriksen Lifting Ring</li> <li>• Integrated Henriksen System (IHS)</li> </ul>

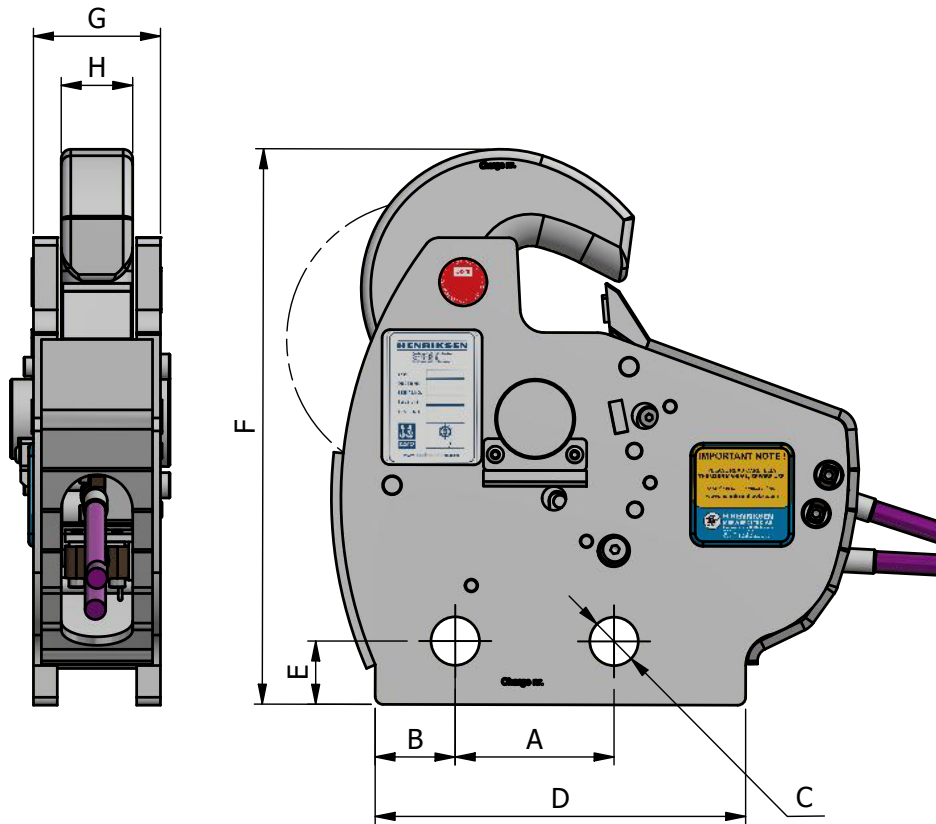


The HOOKS on this page are all tested and delivered with European Community "MED" CERTIFICATES approved by Det Norske Veritas. They are also approved by Transport Canada (several other certificates are also available on request). Test certificates are based upon IMO / SOLAS.



H. Henriksen AS  
 Træleborgveien 15  
 3112 Tjønberg  
 Phone: 333 78 400  
 Mail: hooks@henriksen.com

For more information please visit: [www.henriksen.com](http://www.henriksen.com)



PART NO.	HOOK	SWL	A	B	C	D	E	F	G	H	WEIGHT
HH001963	HMKRHI 12	12 000 kg	100	50	Ø30,5	233	40	350	80	50	29,5 kg

Materials	High quality stainless steel
Warranty	5 years (When the re-certification and annual inspection is followed)
Documentation	Certificates, Installation-, Operation-, and Maintenance Manual
Packaging	Wooden case
Optional Accessories	<ul style="list-style-type: none"> <li>• Certified bolts and nuts</li> <li>• Henriksen Swivel Joint</li> <li>• Henriksen Lifting Ring</li> <li>• Integrated Henriksen System (IHS)</li> </ul>

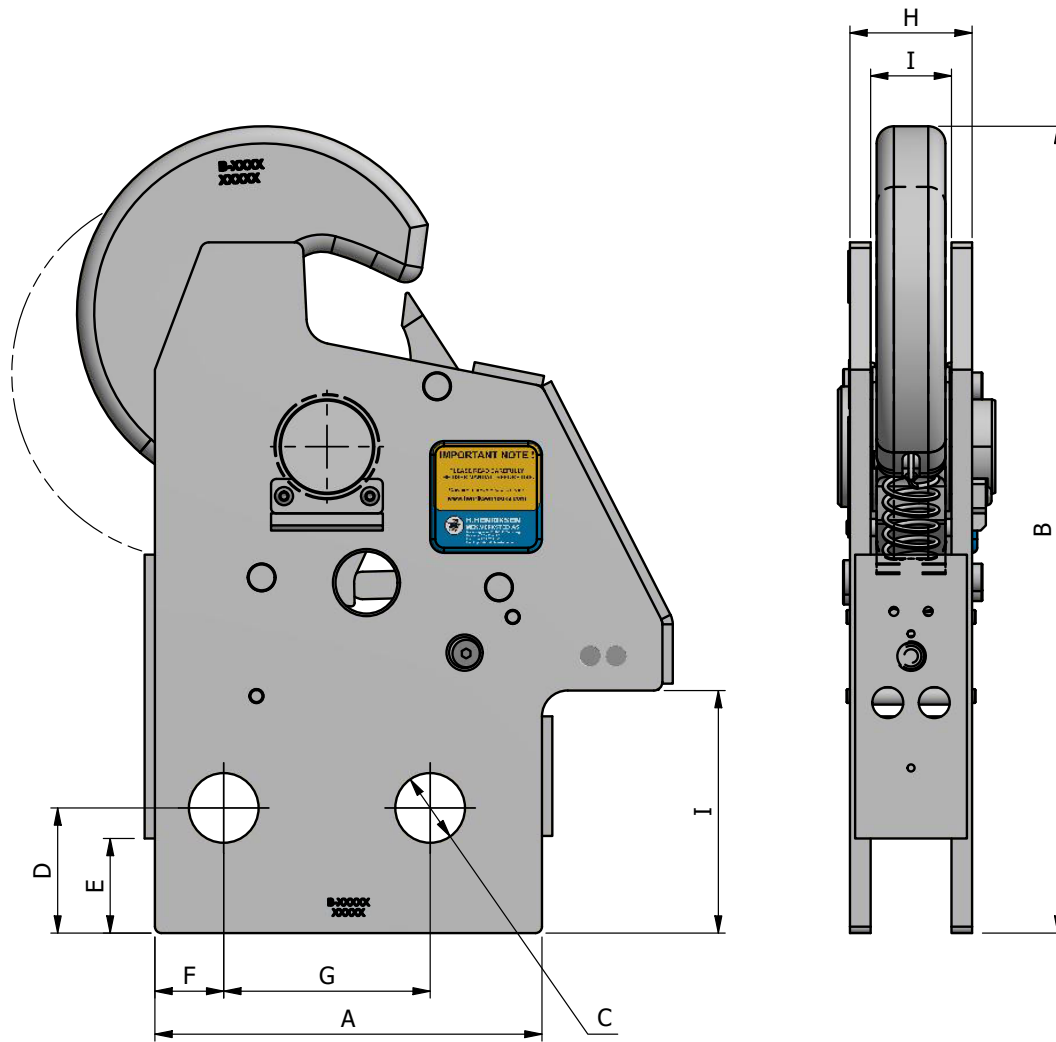


The HOOKS on this page are all tested and delivered with European Community "MED" CERTIFICATES approved by Det Norske Veritas. They are also approved by Transport Canada (several other certificates are also available on request). Test certificates are based upon IMO / SOLAS.

For more information please visit: [www.hhenriksen.com](http://www.hhenriksen.com)



H. Henriksen AS  
 Træleborgveien 15  
 3112 Tjønsberg  
 Phone: 333 78 400  
 Mail: [hooks@hhenriksen.com](mailto:hooks@hhenriksen.com)



PART NO.	HOOK	SWL	A	B	C	D	E	F	G	H	I	WEIGHT
HH002637	HMKRHF 15	15 000 kg	225	471	Ø41	73	55	40	120	71	47	21,5 kg

Materials	High quality stainless steel
Warranty	5 years (When the re-certification and annual inspection is followed)
Documentation	Certificates, Installation-, Operation-, and Maintenance Manual
Packaging	Wooden case
Optional Accessories	<ul style="list-style-type: none"> <li>• Certified bolts and nuts</li> <li>• Henriksen Swivel Joint</li> <li>• Henriksen Lifting Ring</li> <li>• Integrated Henriksen System (IHS)</li> </ul>



The HOOKS on this page are all tested and delivered with European Community "MED" CERTIFICATES approved by Det Norske Veritas. They are also approved by Transport Canada (several other certificates are also available on request). Test certificates are based upon IMO / SOLAS.

For more information please visit: [www.henriksen.com](http://www.henriksen.com)

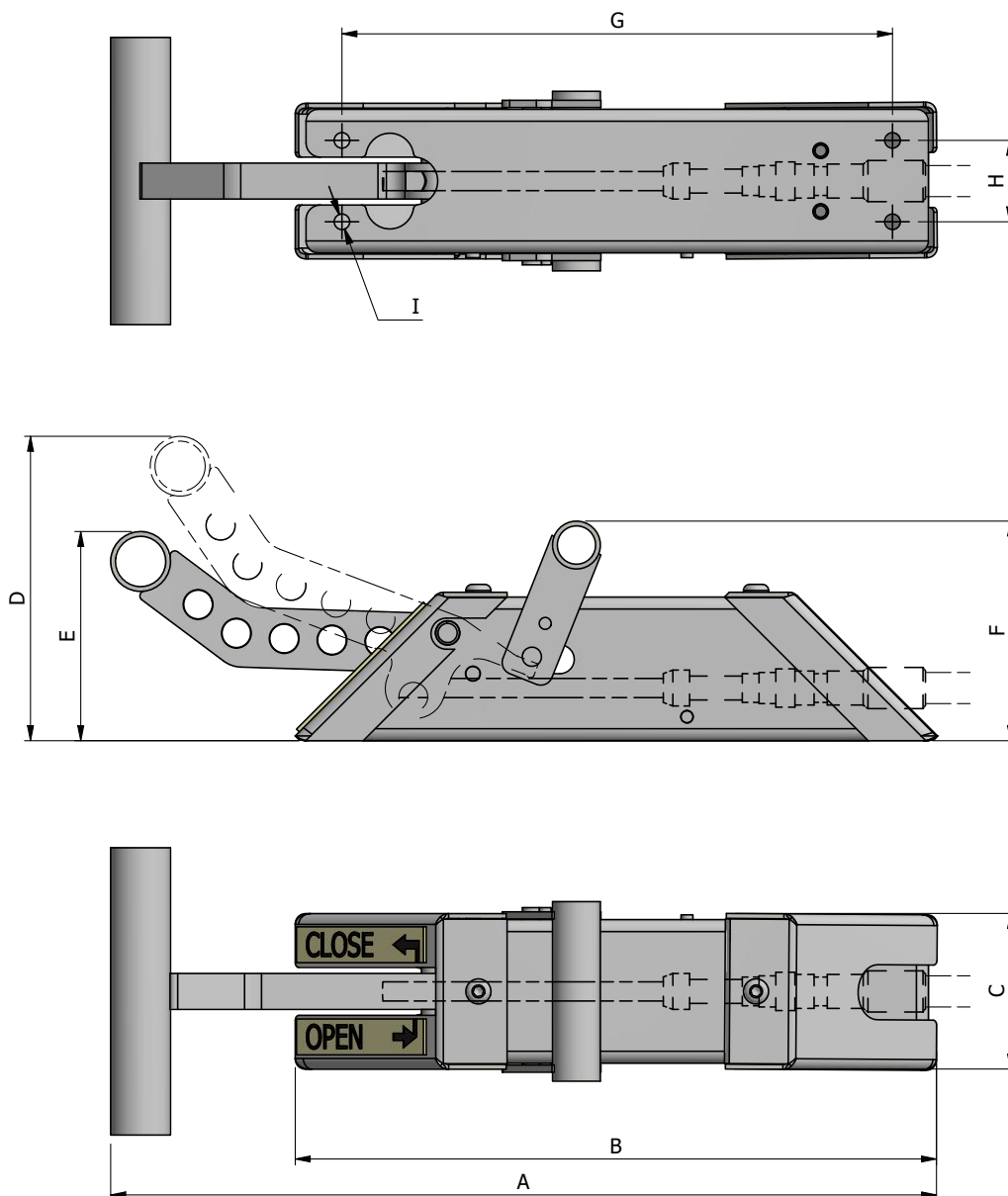


H. Henriksen AS  
 Træleborgveien 15  
 3112 Tjønsberg  
 Phone: 333 78 400  
 Mail: [hooks@henriksen.com](mailto:hooks@henriksen.com)



# HMKR HOOKS

## REMOTE CONTROL



PART NO.	A	B	C	D	E	F	G	H	I	WEIGHT
HH000064	345	268	65	127	87	92	230	34	Ø6,5	2,9 kg

Materials	High quality stainless steel
Warranty	5 years (When the re-certification and annual inspection is followed)
Documentation	Certificates, Installation-, Operation-, and Maintenance Manual
Packaging	Wooden case



The HOOKS on this page are all tested and delivered with European Community "MED" CERTIFICATES approved by Det Norske Veritas. They are also approved by Transport Canada (several other certificates are also available on request). Test certificates are based upon IMO / SOLAS.

For more information please visit: [www.hhenriksen.com](http://www.hhenriksen.com)



H. Henriksen AS  
 Træleborgveien 15  
 3112 Tjønsberg  
 Phone: 333 78 400  
 Mail: [hooks@hhenriksen.com](mailto:hooks@hhenriksen.com)