

## PAINTER HOOKS

**HOOKS**  
SAFETY QUICK RELEASE HOOKS



### HPH 2,5 / 5

On-load release painter hooks for fast rescue crafts, RIBs, MOB's working boats and other types of boats.

<b>HOOK</b>	<b>HPH</b>
<b>RING</b>	<b>HPR</b>

### PAINTER HOOKS

A Henriksen Painter Hook is placed in the bow of e.g. a MOB boat and connected to a painter line in order to ensure that the MOB boat is kept in the correct direction and position during both launch and recovery. The Henriksen Painter Hooks are designed for boats with a total weight of up to 20 000 kg. Our guidelines dictate that the painter hook rating (SWL) should be at least half of the total weight of the boat.

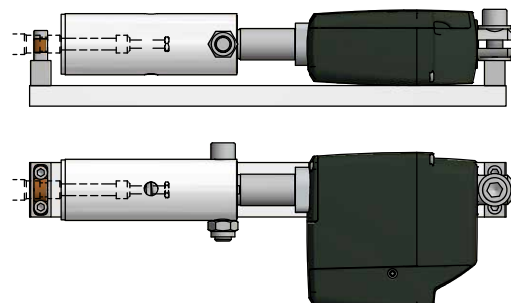
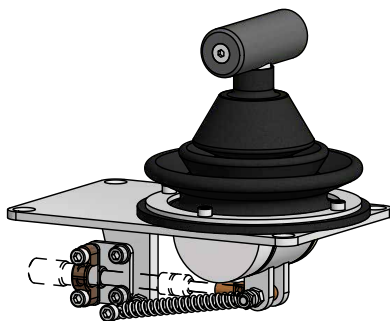


### OPERATION OF A PAINTER HOOK

1. Before launch: connect the painter line to the painter hook.
2. Connect the main lifting hook.
3. Lower / launch the boat.
4. Activate the hook opening mechanism when the boat is clear of all objects and close to the water.
5. The main lifting hook opens/releases when the boat hits the water.
6. Release the painter hook when crew is ready.

Most of our painter hooks are operated with a remote control handle. This makes it easy for the operator in the helms mans position to have full control over the boat and thereby reducing operational risk.

The ELA electric actuator is an accessory for the painter hook that is suitable for both standalone use, as well as together with a lifting hook and the ELP control panel. This combination will also provide a safer lifting operation provided by safety features integrated in the control panel.

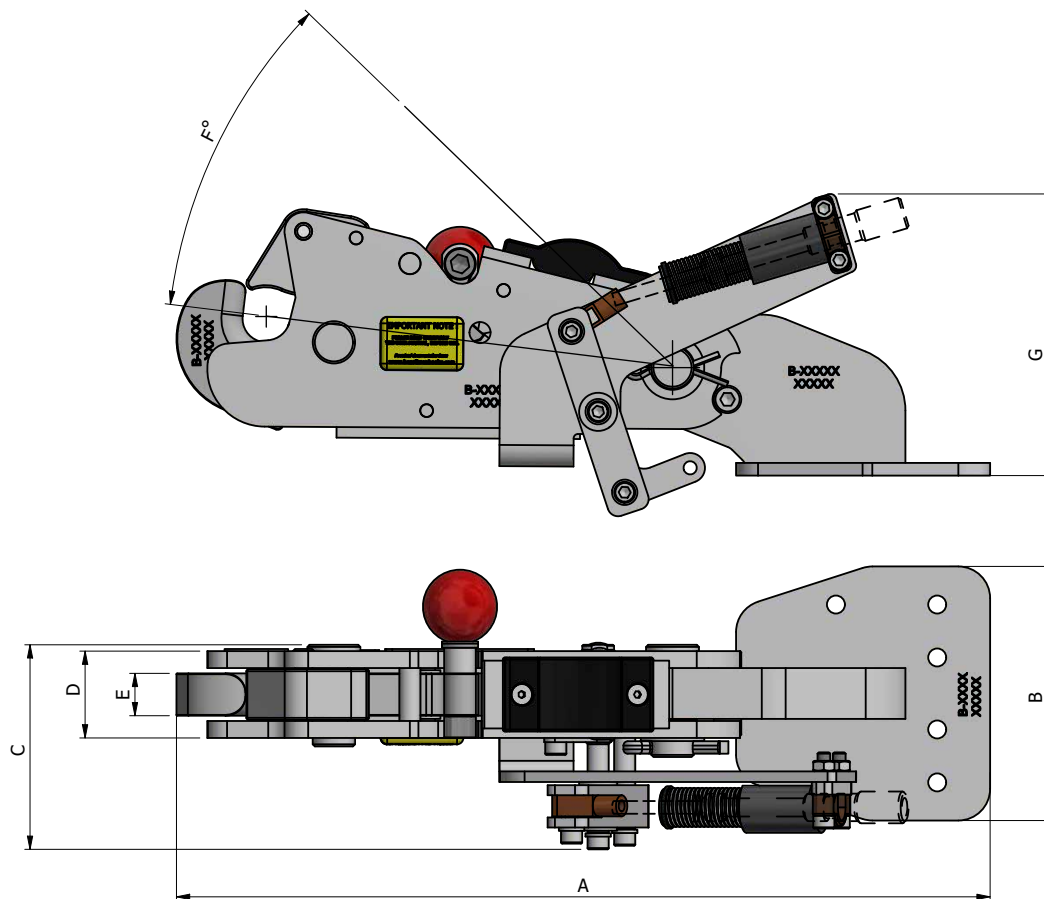


All our painter hooks can be used together with the Integrated Henriksen System (IHS), which eliminates the possibility of opening the painter hook before the main hook.

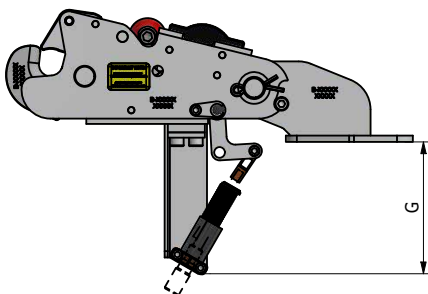
All Henriksen Hooks are produced with high quality stainless steel and given a polished finish before delivery.

# HPH HOOKS

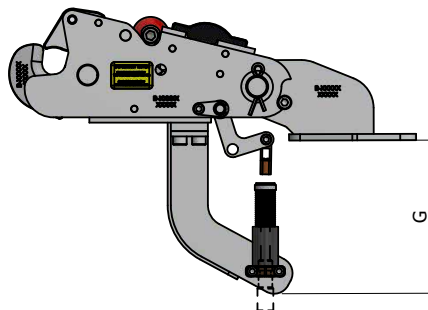
## HPHH 2,5



## HPHR 2,5



## HPHV 2,5

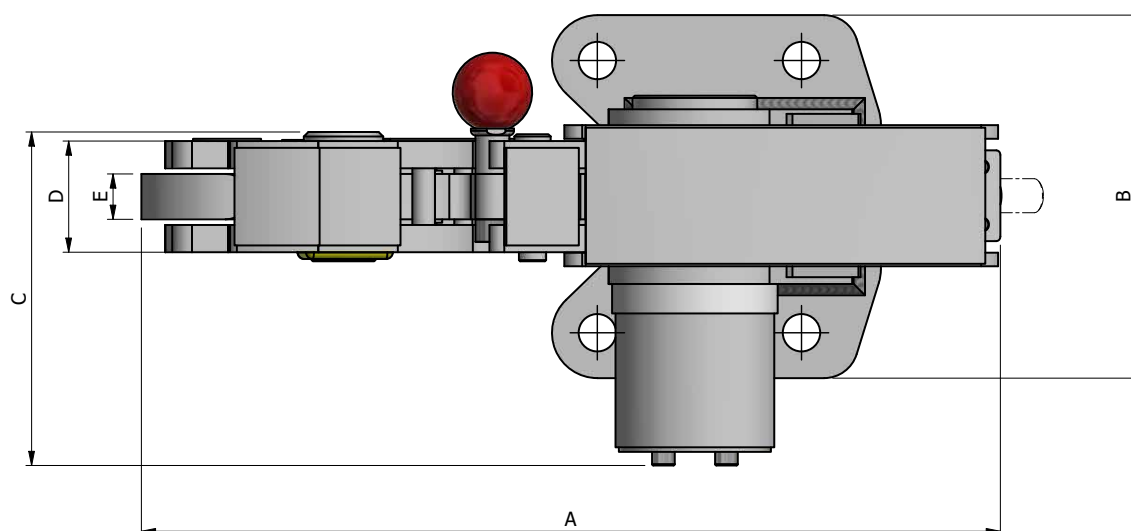
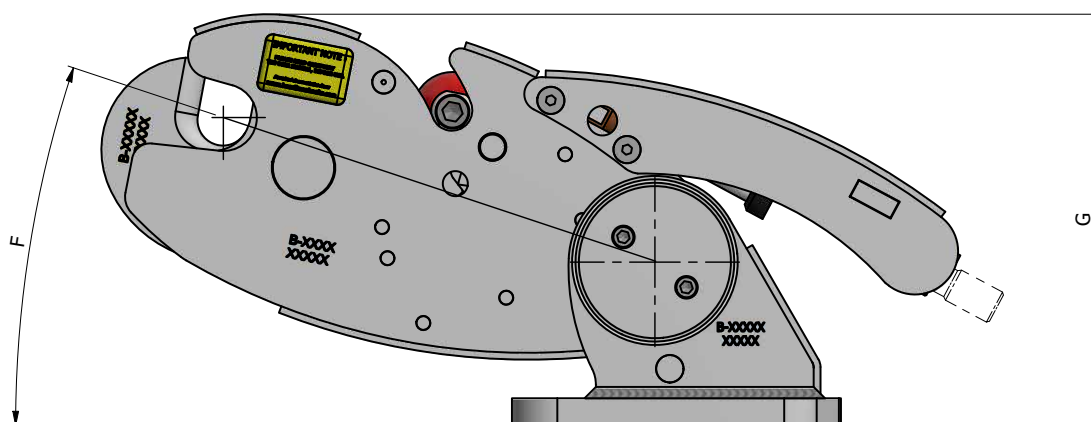


PART NO.	HOOK	SWL	A	B	C	D	E	F	G	WEIGHT
HH001543	HPHH 2,5	2 500 kg	384	120	97	41	20	30°	128	7,15 kg
HH000103	HPHR 2,5	2 500 kg	384	120	97	41	20	30°	140	6,64 kg
HH001542	HPHV 2,5	2 500 kg	384	120	97	41	20	30°	144	6,88 kg

Materials	High quality stainless steel
Warranty	5 years (When the re-certification and annual inspection is followed)
Documentation	Certificates, Installation-, Operation-, and Maintenance Manual
Packaging	Wooden case
Optional Accessories	<ul style="list-style-type: none"> <li>Henriksen Painter Ring</li> <li>Integrated Henriksen System (IHS)</li> </ul>

# HPH HOOKS

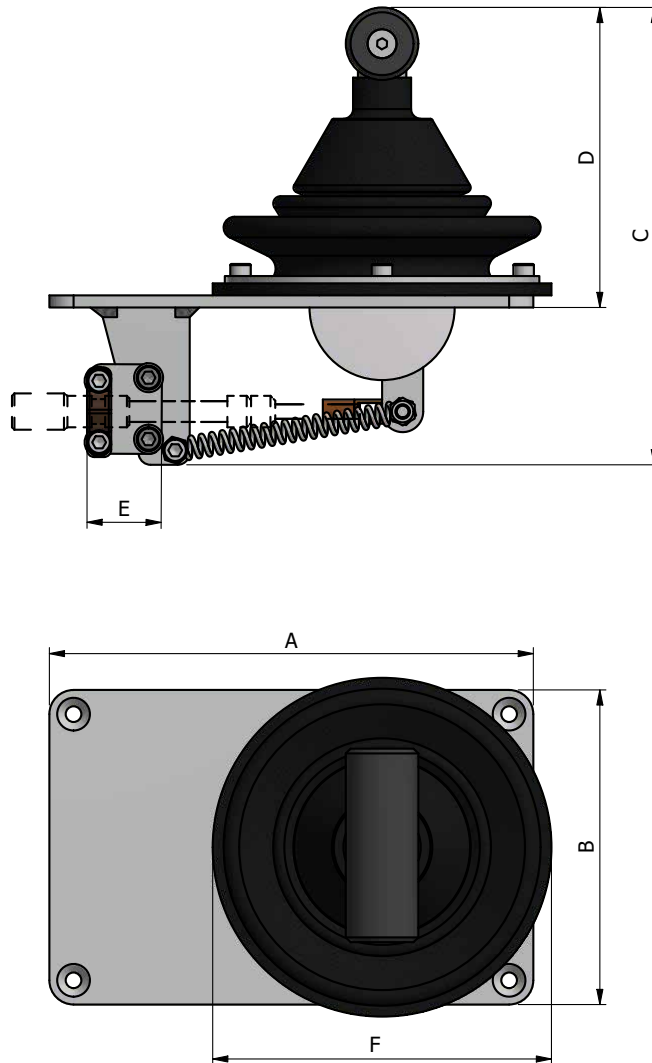
## HPH 5



PART NO.	HOOK	SWL	A	B	C	D	E	F	G	WEIGHT
HH001959	HPHRH 5	5 000 kg	378	181	20	49	20	-7° ... 30°	181	7,87 kg

Materials	High quality stainless steel
Warranty	5 years (When the re-certification and annual inspection is followed)
Documentation	Certificates, Installation-, Operation-, and Maintenance Manual
Packaging	Wooden case
Optional Accessories	<ul style="list-style-type: none"> <li>Henriksen Painter Ring</li> <li>Integrated Henriksen System (IHS)</li> </ul>

## REMOTE CONTROL



PART NO.	For SWL	A	B	C	D	E	F	WEIGHT
HH000057	2 500 kg	200	130	189	124	30	Ø140	2,45 kg
HH005087	5 000 kg	200	130	189	124	70	Ø140	2,50 kg

Materials	High quality stainless steel
Warranty	5 years (When the re-certification and annual inspection is followed)
Documentation	Certificates, Installation-, Operation-, and Maintenance Manual
Packaging	Wooden case