

# MANUAL OFF-LOAD HOOKS - SMALL

**HOOKS**  
SAFETY QUICK RELEASE HOOKS



## HRH 1,5

Off-load Lifting hook for Fast Rescue Crafts and other type of boats with single point lifting arrangement.

HOOK      HRH

### SMALL BOAT HOOK

The HRH 1,5 hook is the smallest quick release, off-load lifting hook. For decades this product has proven to be the most reliable, best and safest launch and recovery lifting hook on the maritime market, and still continues to live up to its reputation.

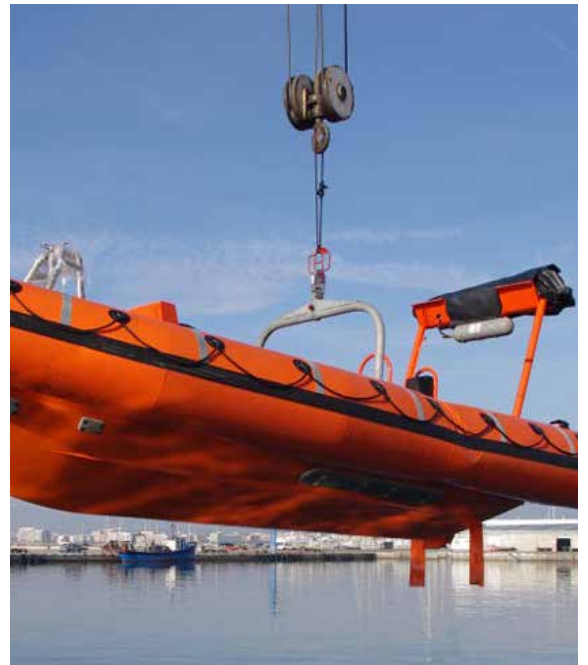
### OPERATION OF A HENRIKSEN OFF-LOAD HOOK

#### Launch

1. When the boat is close to the water surface, pull the ball at the end of the activation wire. Make sure that the reset knob moves to open (activated) position.
2. When the boat is waterborne, the hook automatically releases the lifting ring.

#### Recovery

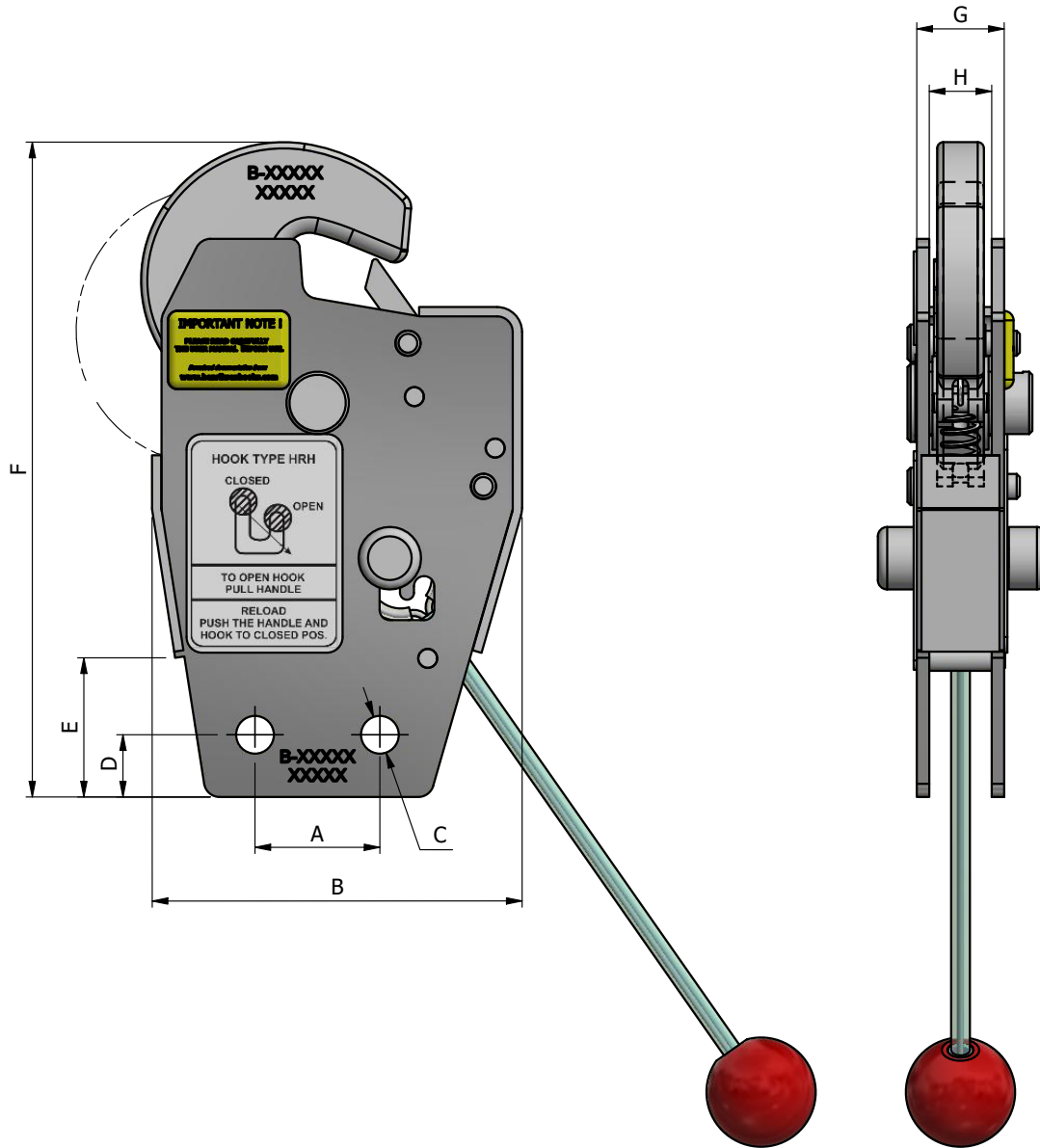
1. Set the reset knob to the closed position, confirmed by a click sound. Set the hook element manually to closed position, confirmed by a click sound.
2. Grab the lifting ring and connect it by pushing it into the hook.



### LIFTING RINGS

We supply Henriksen original lifting rings for all HMK hooks. They are safe and easy to operate with handles that provide a good grip. We strongly recommend the use of our Henriksen lifting rings with our Henriksen hooks as these have geometry that is designed to fit together.

- All materials used in the Henriksen Hooks are high quality and suitable for marine environment (saltwater proof). The HRH hooks are made of stainless steel and duplex steel.
- All Hooks are delivered in a practical wooden box.



PART NO.	HOOK	SWL	A	B	C	D	E	F	G	H	WEIGHT
HH000033	HRH 1,5	1 650 kg	40	119	Ø12	20	45	210	28	20	2,27 kg

Materials	High quality stainless steel
Warranty	5 years (When the re-certification and annual inspection is followed)
Documentation	Certificates, Installation-, Operation-, and Maintenance Manual
Packaging	Wooden case
Optional Accessories	<ul style="list-style-type: none"> <li>• Certified bolts and nuts</li> <li>• Henriksen Swivel Joint</li> <li>• Henriksen Lifting Ring</li> <li>• Integrated Henriksen System (IHS)</li> </ul>



The HOOKS on this page are all tested and delivered with European Community "MED" CERTIFICATES approved by Det Norske Veritas. They are also approved by Transport Canada (several other certificates are also available on request). Test certificates are based upon IMO / SOLAS.



H. Henriksen AS  
 Træleborgveien 15  
 3112 Tjønsberg  
 Phone: 333 78 400  
 Mail: hooks@henriksen.com

For more information please visit: [www.hhenriksen.com](http://www.hhenriksen.com)