

SHIMS

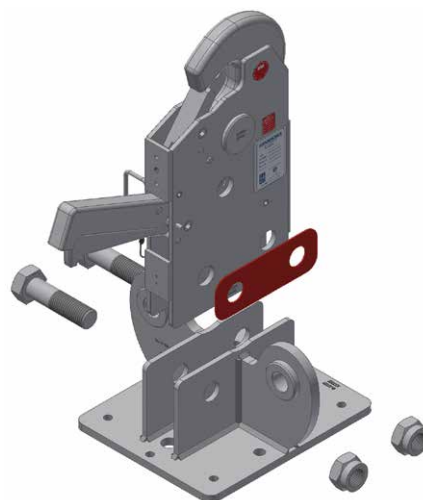
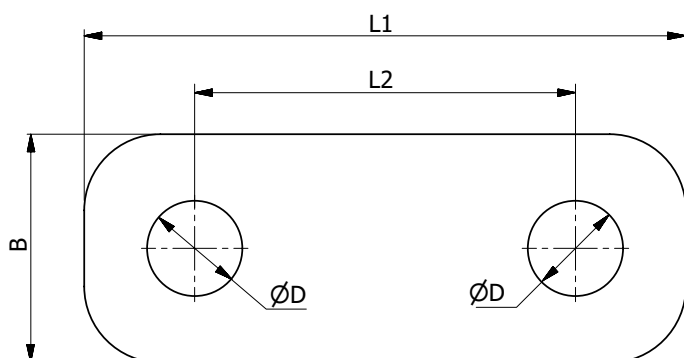
HOOKS
SAFETY QUICK RELEASE HOOKS



SHIMS

Apply shims to reduce the gap between:

- the mounting plates and the hook or swivel joint
- the hook and the swivel joint
- the hook or the swivel joint and the Henriksen adapter



PART NO. ⁽¹⁾	SWL ⁽²⁾	L1	L2	B	ØD
HH000215	3 500 kg	158	100	60	Ø25
HH000220 ⁽³⁾	3 500 kg	126	80	40	Ø25
HH000214	5 000 kg 8 000 kg	196	120	70	Ø32
HH000213	12 000 kg	170	100	60	Ø32
HH000216	15 000 kg	190	100	70	Ø42

⁽¹⁾ 4 pcs. shims with thickness: 0,5 mm, 1 mm, 2 mm and 3 mm.

⁽²⁾ The SWL of the hook, swivel joint or adapter.

⁽³⁾ for Duplex-series.