

HENRIKSEN HOOKS

**HOOKS**  
HENRIKSEN HOOKS

**ELA**

**ELECTRICAL REMOTE RELEASE UNIT  
FOR LIFTING HOOKS**



U  
S  
E  
R  
  
M  
A  
N  
U  
A  
L

Rev.: -1

M001091

**HENRIKSEN**

**REDUCING OPERATIONAL RISK**

Phone: +47 33 37 84 00  
hooks@hhenriksen.com  
www.henriksenhooks.com

## ELA

### GENERAL

- Read this user manual carefully before you use the unit and save it for future reference.
- Operational scenarios with corresponding risk evaluations must be well known for the operators.
- It is important that the unit is inspected and maintained periodically to ensure a safe and well-functioning equipment.
- Monthly controls by the operators are limited to visual check and practical operations.
- Contact the manufacturer in case of any visible damage and/or if malfunction occurs.
- Any unauthorized repair, service and/or parts used in the unit will violate the warranty.

## ELA

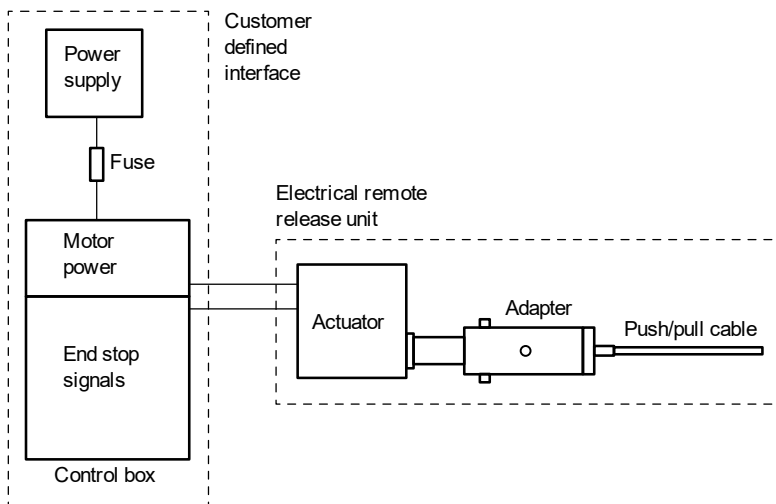
### SYSTEM OVERVIEW

The electrical remote release unit is an alternative for the manual remote release unit to operate lifting hooks.

The unit is available both for 12 and 24 VDC systems:

- **HH000322** for 12 VDC
- **HH000321** for 24 VDC

The standard length of the actuator cable is 5 m. Please check the user manual delivered with the LINAK actuator for more technical details.



Recommended operation lifting hooks:

- a full stroke **in** to activate the lifting hook
- a full stroke **out** – after the hook has released the lifting ring – to prepare for resetting the hook

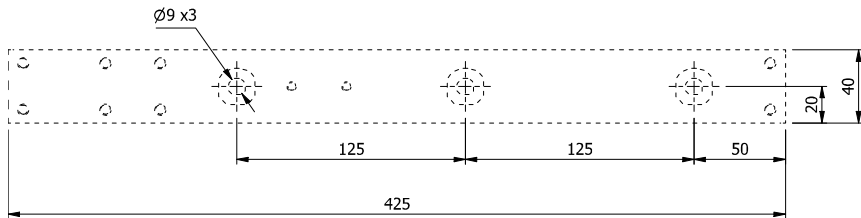
For more information on the proper lifting operation please see user manual for lifting hook.



## ELA

### MOUNTING HOLES

Use correct type of M8 / Ø8 screw (depending on the board material) to fasten the base plate of the remote release unit.



MOUNTING

## ELA

- 1 Connect the actuator to the power supply and set the piston rod into the maximum stroke length position.

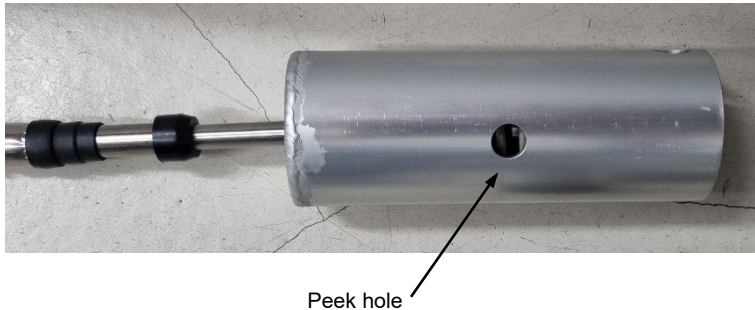


- 2 Insert the sleeve and the long spring onto the cable end.
- 3 Place the flange onto the cable end. Note the proper orientation of the flange!
- 4 Place two nuts onto the end of the cable. Do not tighten yet!

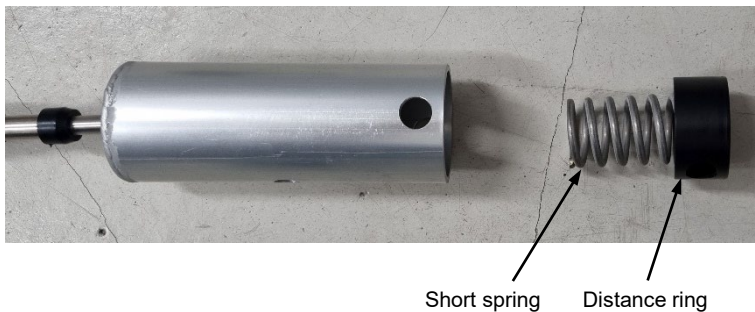


## ELA

- 5** Press the sleeve against the cable end, and check through the peek hole that the spring is properly placed on the flange.



- 6** Insert the short spring into the distance ring and place these into the sleeve.

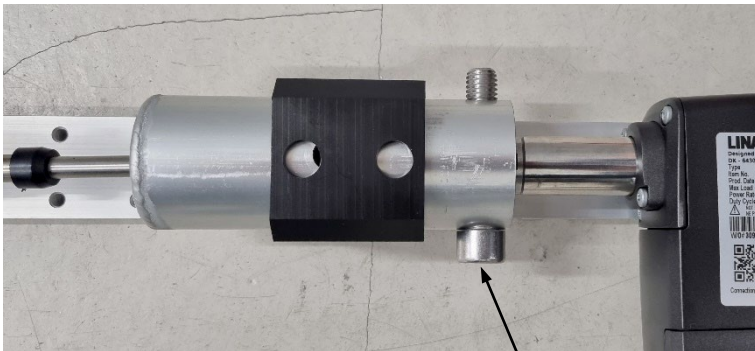


## ELA

- 7** Insert the complete assembly onto the piston rod.



- 8** Insert the bolt through the sleeve, distance ring and the piston rod. This operation may require two persons to perform.



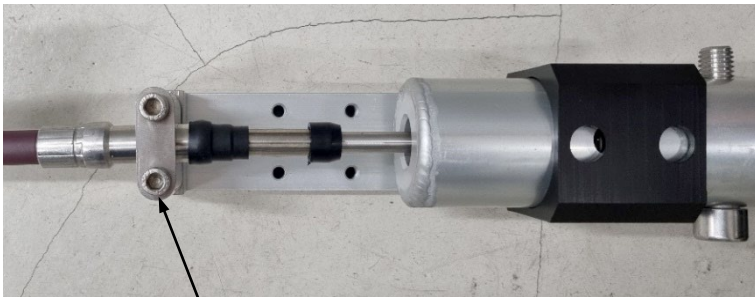
Bolt

## ELA

- 9** Mount the cable onto the bracket with the cable clamp, clamp plate and the bolts. Apply Loctite 243 or equivalent on all bolts.



Adjust the position of the nuts and the flange on the cable end if necessary.

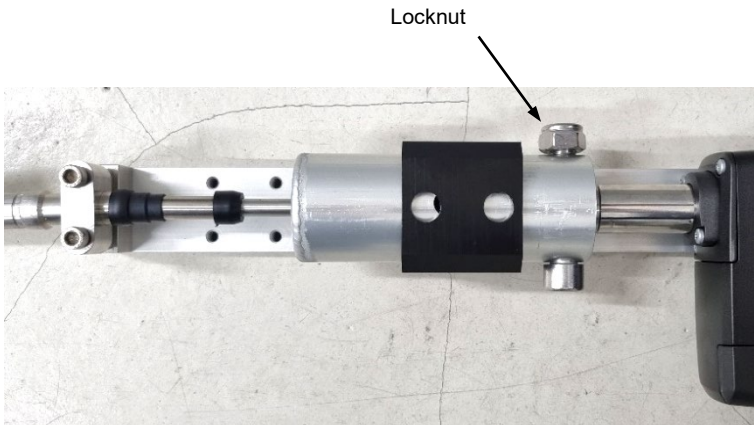


Cable clamp with plate and bolts



## ELA

### 12 Lock the bolt with the locknut.

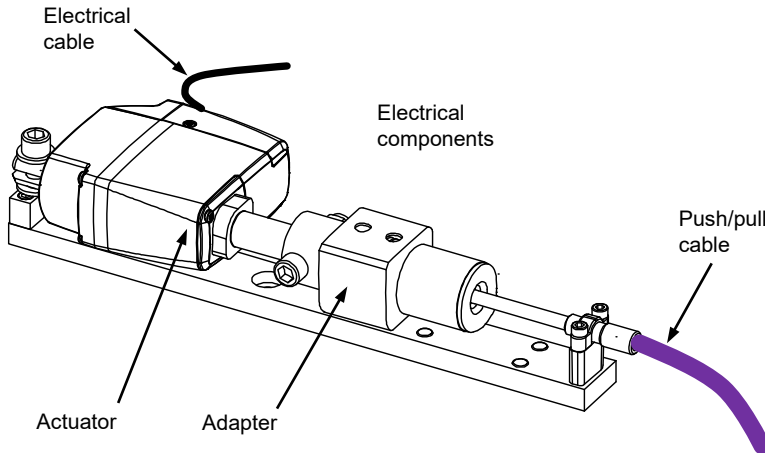


### 13 Do a functional test of the following:

- The actuator can reach its full extension and retraction.
- The hook opens and closes as intended, see the hook manuals for more details.

## ELA

- 1 For safety reasons carry out the control in good lighting conditions.
- 2 Remove all impurities (salt, grease, dust, etc.) with fresh water. Remove ice if necessary.
- 3 Check that the following parts are free from deformations and defects:



- 4 Do a functional test of the following:
  - The actuator can reach its full extension and retraction.
  - The hook opens and closes as intended, see the hook manuals for more details.

Contact the manufacturer in case of any deviation!